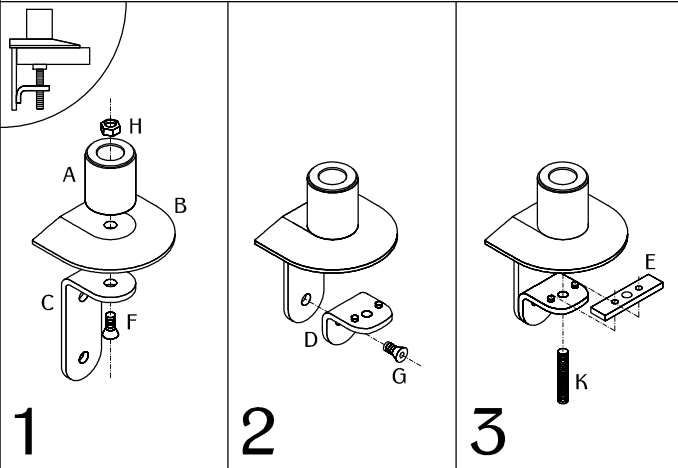
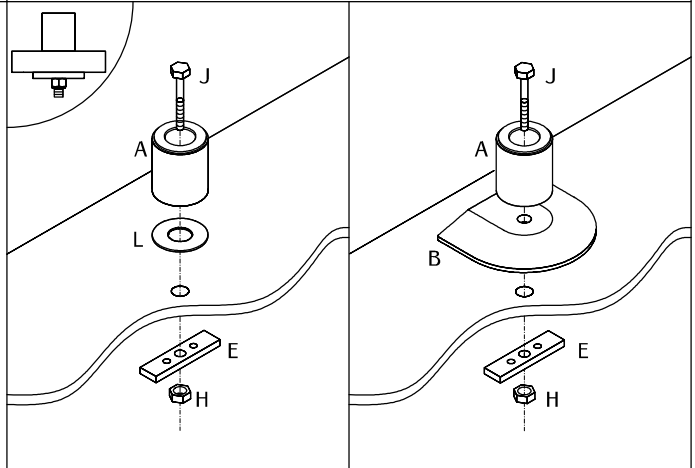


MOUNTING OPTIONS

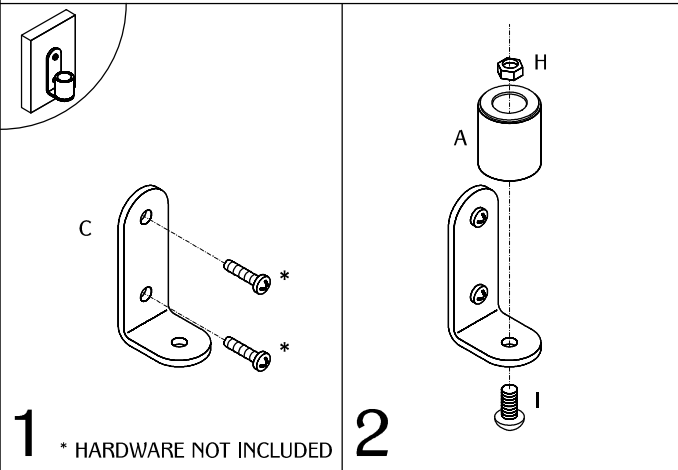
DESK CLAMP



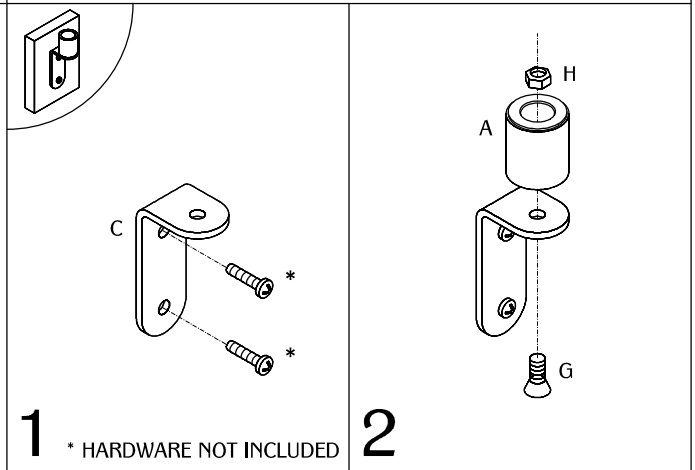
THRU-DESK



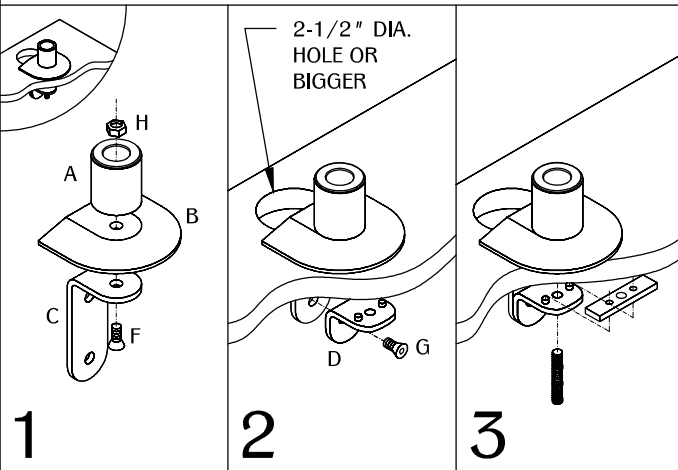
WALL MOUNT



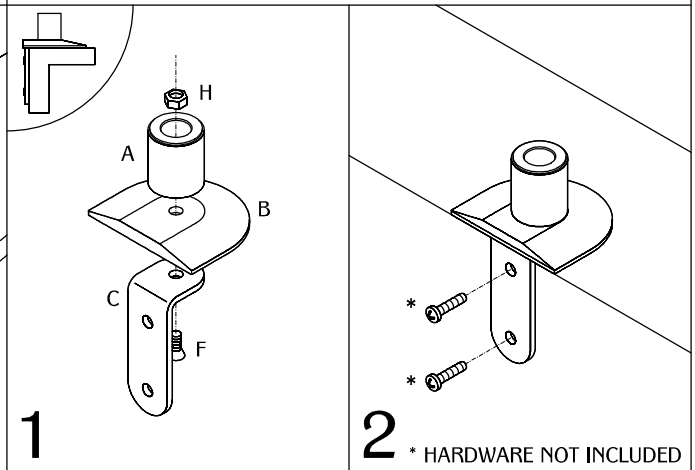
REVERSE WALL MOUNT



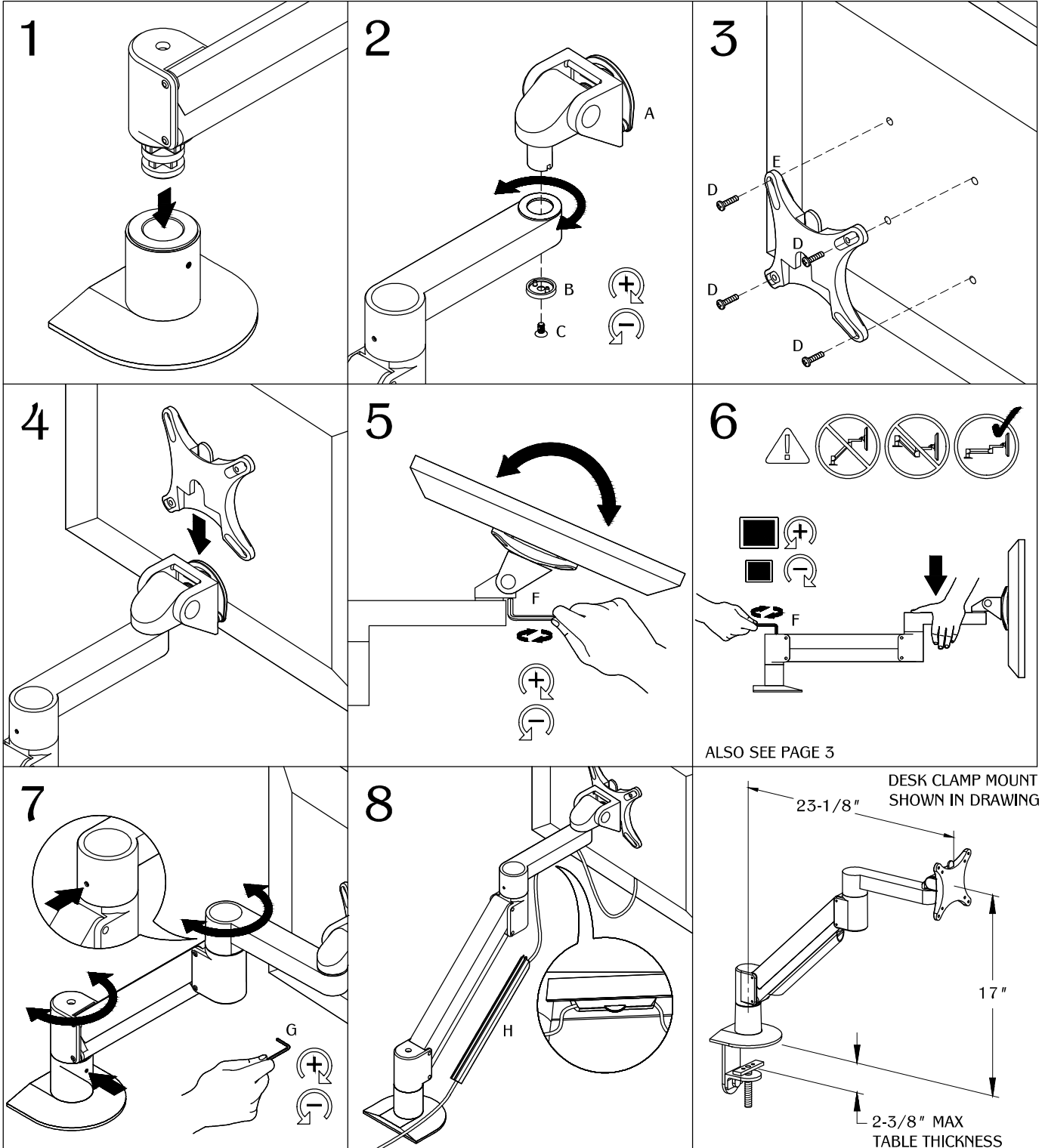
GROMMET HOLE



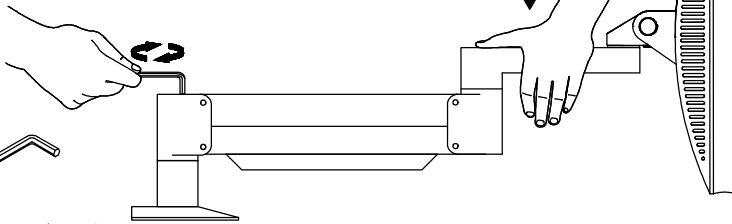
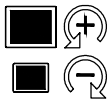
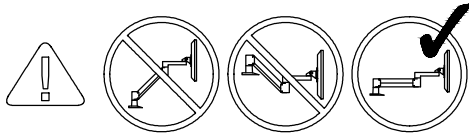
SIDE BOLT



INSTALLATION INSTRUCTIONS



HOW TO COUNTERBALANCE THE FSA6

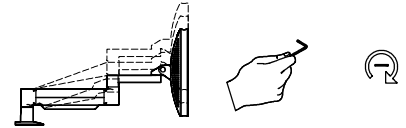
1

7/32" ALLEN WRENCH

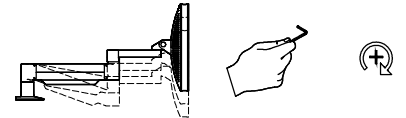
IMPORTANT!

- MONITOR MUST BE ON ARM
- ARM MUST BE IN MOUNT

PRESS THE ARM DOWN TO APPROXIMATELY PARALLEL WITH THE DESK PRIOR TO TURNING THE STRENGTH ADJUSTMENT SCREW.

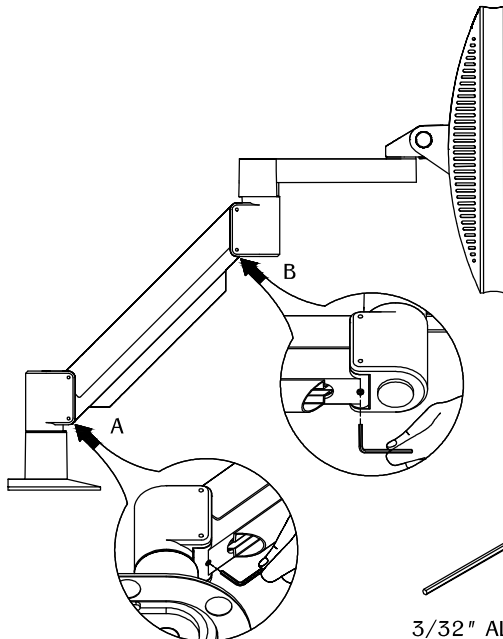


IF THE ARM DRIFTS UPWARD, TURN THE ADJUSTMENT SCREW CLOCKWISE.



IF THE ARM DRIFTS DOWNWARD, TURN THE ADJUSTMENT SCREW COUNTER-CLOCKWISE.

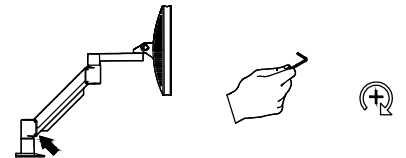
DEPENDING ON THE WEIGHT OF YOUR MONITOR, YOU MAY HAVE TO MAKE 15 - 20 TURNS.

2

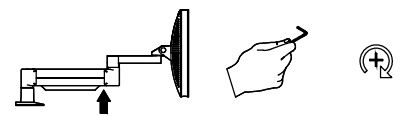
3/32" ALLEN WRENCH

IN SOME INSTANCES, FURTHER COUNTERBALANCE ADJUSTMENTS ARE NEEDED TO ALLOW THE ARM'S INSTANT HEIGHT ADJUSTMENT FUNCTION TO WORK PROPERLY.

IF YOUR ARM IS NOT STAYING IN POSITION AFTER PERFORMING STEP 1, FOLLOW THESE STEPS:



WITH ARM IN RAISED POSITION, TIGHTEN SET SCREW (A).



WITH ARM IN HORIZONTAL POSITION, TIGHTEN SET SCREW (B).


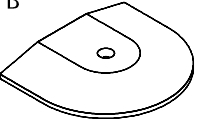
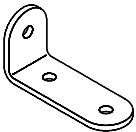
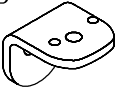
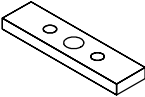
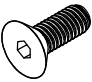
DO NOT OVER TIGHTEN SCREWS.

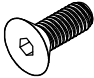


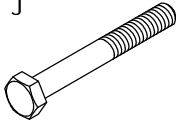
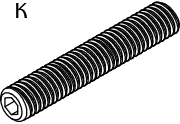

PART #

FSA3/M

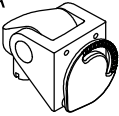
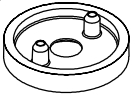


310.318.2491 • 800.523.1269 • www.mockett.com

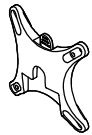


PARTS LIST (PAGE 1 INSTALLATION)

ITEM	QTY	DESCRIPTION
A	1	MOUNT COLUMN
		
B	1	BASE PLATE
		
C	1	LARGE "L" BRACKET
		
D	1	SMALL "L" BRACKET
		
E	1	RECTANGULAR SPACER
		
F	1	3/8" -16 x 1" FLAT SOCKET CAP SCREW
		

ITEM	QTY	DESCRIPTION
G	1	3/8" -16 x 7/8" FLAT SOCKET CAP SCREW
		
H	1	3/8" -16 NYLON STOP NUT
		
I	1	3/8" -16 x 7/8" BUTTON SOCKET CAP SCREW
		
J	1	3/8" -16 x 2-1/2" HEX HEAD BOLT
		
K	1	1/2" -13 x 3" SOCKET SET SCREW
		
L	1	FOAM PAD
		

ADDITIONAL PARTS LIST (PAGE 2 AND 3 INSTALLATION)

ITEM	QTY	DESCRIPTION
A	1	QUICK RELEASE MONITOR TILTER
		
B	1	DOG WASHER
		
C	1	10-32 x 3/8" FPhMS WITH LOCK PATCH
		
D	1	M4 x 12MM PHILLIPS PAN HEAD SCREW (4 PACK)
		

ITEM	QTY	DESCRIPTION
E	1	QUICK RELEASE VESA ADAPTER
		
F	1	7/32" ALLEN WRENCH
		
G	1	3/32" ALLEN WRENCH
		
H	1	CABLE CAP
