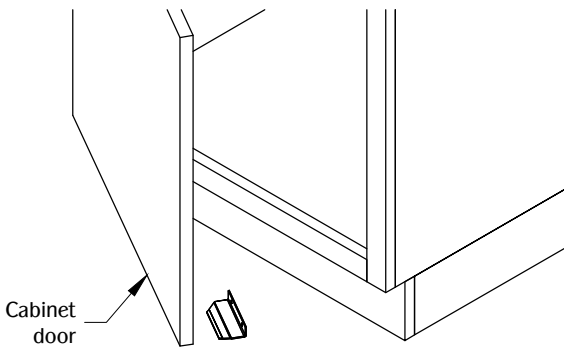


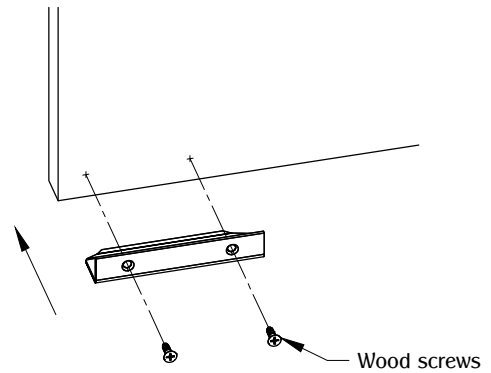
RIGHT VIEW

1



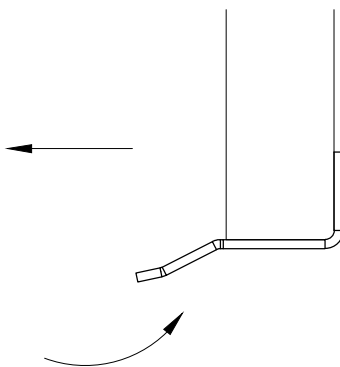
Determine the location of the part at the bottom of the cabinet door.

2



Use (2) wood screws to secure the part from the rear of the cabinet door.

3

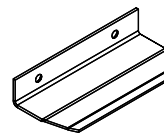


Use the box toe of the shoe to pull the cabinet door open.

NOTE:

- All dimensions have a $\pm 1/32$ " tolerance. We do not recommend drilling or cutting any holes before receiving a product or a product sample.

TABLE OF CONTENTS:



.....1X FP1



.....2X STDW050
(1/2" No. 6 wood screws)