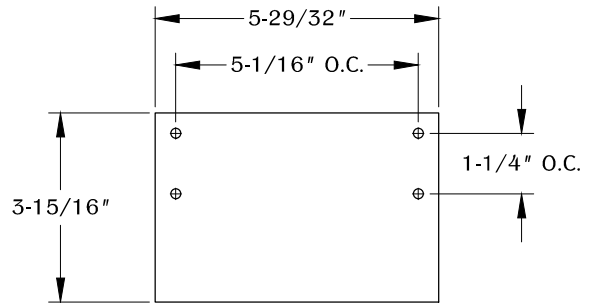
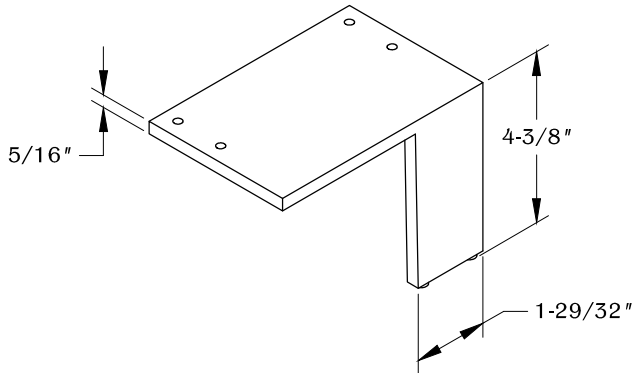


PART #

FL16/R

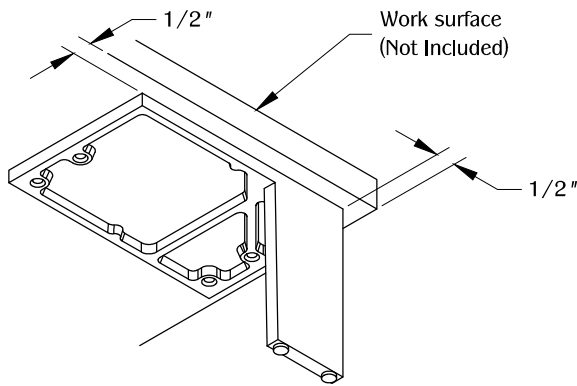
310.318.2491 • 800.523.1269 • www.mockett.com



TOP VIEW

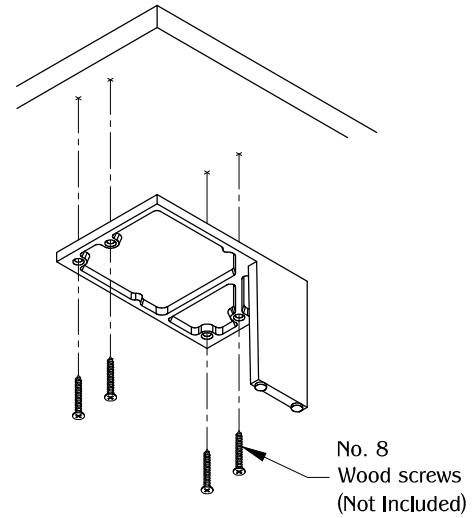
Weight capacity is 175 lbs per leg.

1



Determine the position and location of the part under the work surface. Allow 1/2" clearance at the edge the work surface.

2



Secure the part using (4) mounting screws.