

PART #

310.318.2491 • 800.523.1269 • www.mockett.com

FENCE

(1 of 4)

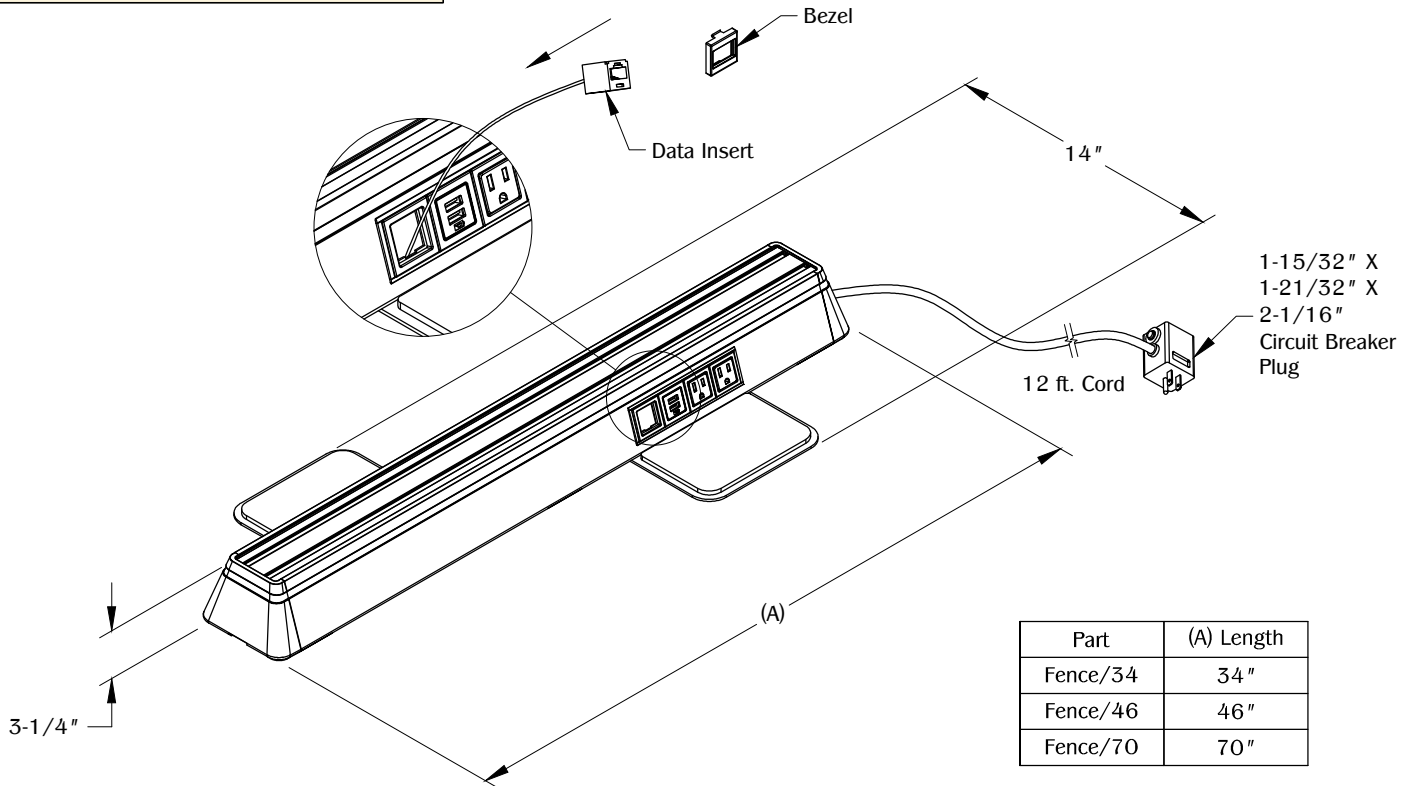
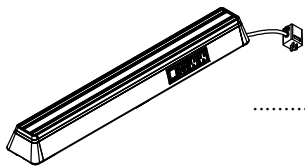

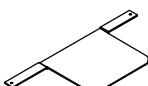

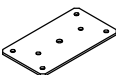

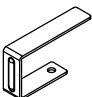



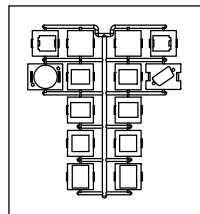


TABLE OF CONTENTS:

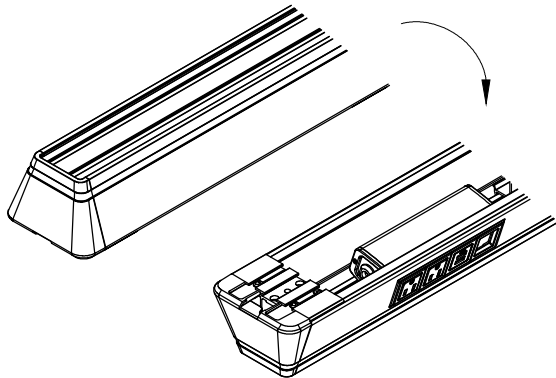
1 X Fence** (4 Power, 2 Dual USB, 2 Data Ports)
2 X Felt
2 X Landing Pad (Located under plywood)
6 X Thumb screws**
2 X Mounting Plate**
2 X Through hole Plate**
2 X Side clamp
12 X 3/4" Screws**
4 X 1/2" Screws

Notes:

- Landing pads are located under the plywood in the package.
- Make sure data cable and power cord are not strained or taut when plugging into an electrical outlet.
- **Fence/70 (8 Power, 4 Dual USB, and 4 Data Ports) will have extra mounting hardware included.
- USB receptacles are for CHARGING USE ONLY. 
- Secure data jacks in place with corresponding bezel adapter from data tree provided. (See PCS Data Tree sheet for more information.)

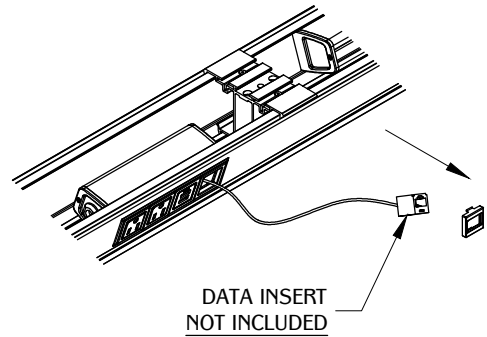


1



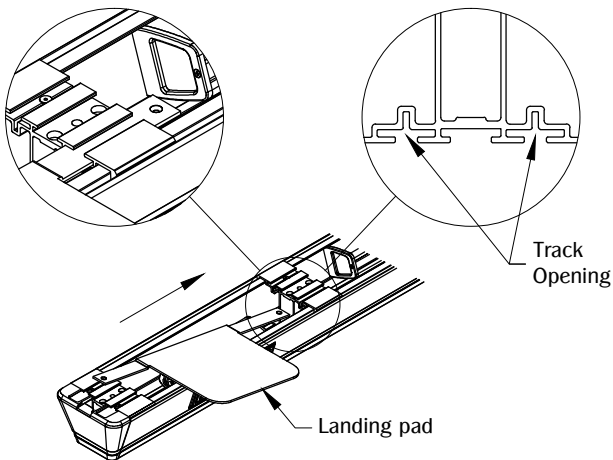
Refer to underside of unit.

2



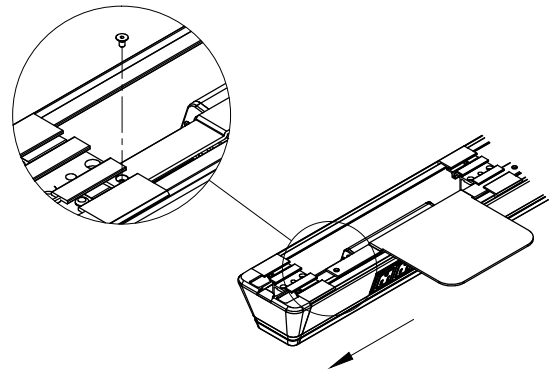
Feed cabling through the open data port and install your data insert into the designated bezel from data tree (see Note on Page 1). Route the cable through the underside of the unit.

3



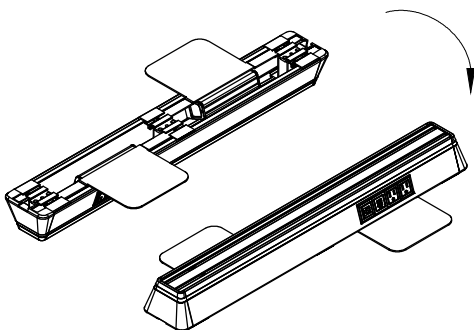
Install Landing Pad by inserting longer stem into middle track.

4



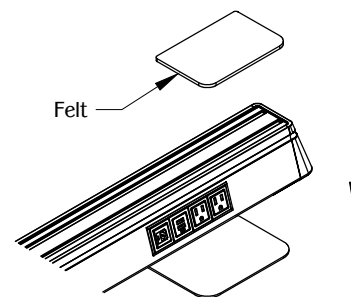
Insert shorter stem into adjacent end track and align holes on both ends. Use two screws to secure landing pad in place.

5



Repeat Steps 2-4 for second landing pad.

6



Flip unit and install felt onto top side of landing pads.

PART #

310.318.2491 • 800.523.1269 • www.mockett.com

FENCE

(3 of 4)

Part	Table Width
Fence/34	36 in.
Fence/46	48 in.
Fence/70	72 in.

Edge Mount

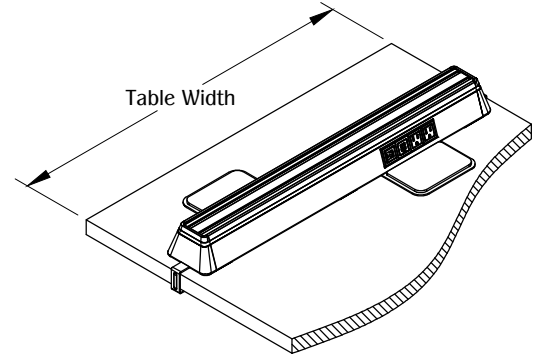
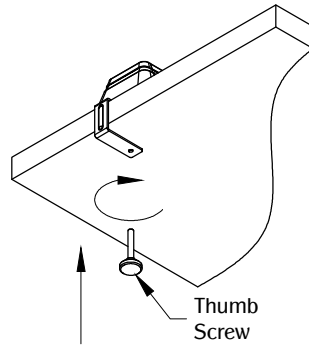
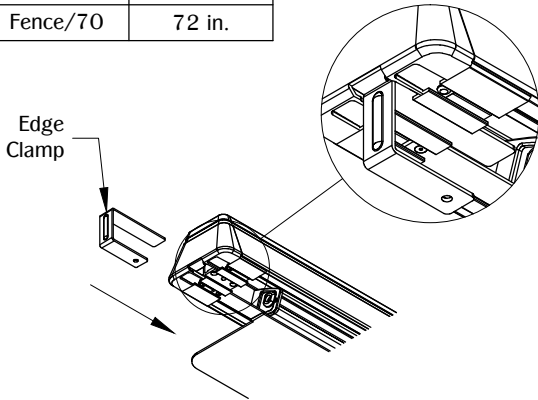


Table Thickness: 3/4" to 1-1/2"

Part	Holes	O.C.
Fence/34	2	29-3/8"
Fence/46	2	41-3/8"
Fence/70	3	32-11/16"

Through Mount

Note: We do not recommend drilling or cutting any holes before receiving a product or a product sample.

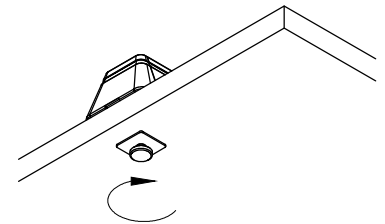
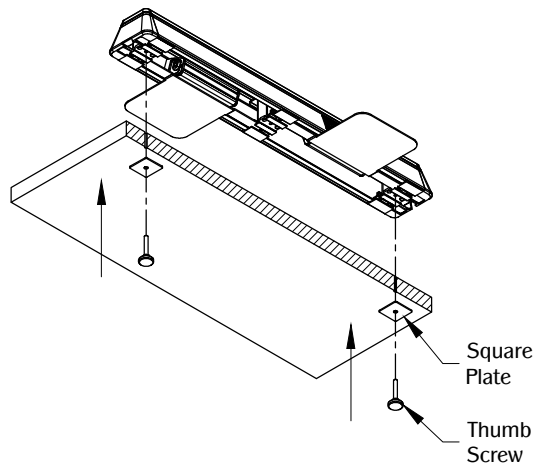
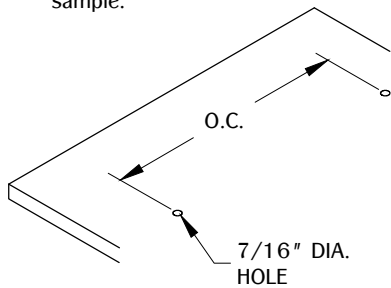
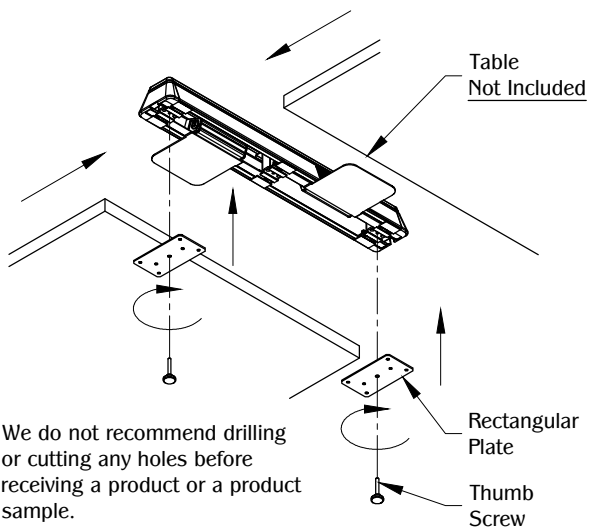
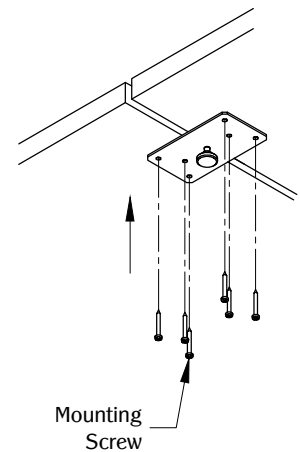


Table Thickness: 3/4" to 1-1/2"

Center Mount

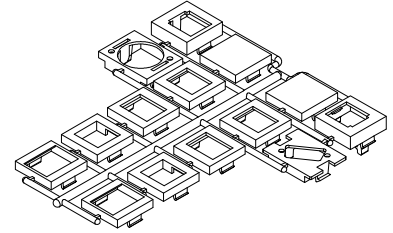


- 1.) Install rectangular plate with thumb screw to underside of Fence (loosely).
- 2.) Push tables together.
- 3.) Install rectangular bracket to the underside of tables.
- 4.) Finish tightening thumb screw on underside of Fence.



Note: We do not recommend drilling or cutting any holes before receiving a product or a product sample.

Table Thickness: 3/4" to 1-1/2"



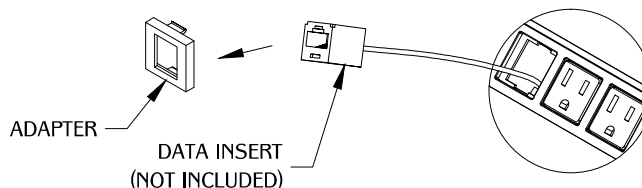
1.) Select the appropriate adapter from the chart below. (example: Panduit Mini-Com Series jack would use "FF" adapter marked on back of adapter.)

* Jacks, not included, UL Listed (DUXR) or Recognized (DUXR2) jacks required.

Adapter	Manufacturer	Website
AA	Systimax/CommScope	www.Commscope.com/Systimax
AA	Uniprise/CommScope	www.Commscope.com/Systimax
BB	L-Com Keystone Modular	www.L-Com.com
BB	Tyco SL and 110 Connect Series Modular Jacks	www.Ampconnect.com
BB	Siemon Keystone Style	www.Siemon.com
BB	Allen Tel Versa Tap Series	www.Allentel.com
BB	Leviton Quick Port ® Series	www.Leviton.com
BB	Nordx Keystone Style	www.Nordx.com
CC	Tyco SL Coupler Series	www.Ampconnect.com
CC	Krone 6000 Series/ADC	www.Adc.com
CC	Hubble Xcelerator™ Keystone Series	www.Hubbell.com
DD	Blank	-
EE	Ortronics TracJack Series	www.Ortronics.com
FF	Panduit Mini-Com Series	www.Panduit.com
GG	Microphone Jack/3-pin XLR, solder style only	www.Byrne-Electrical.com
HH	Video Monitor Jack/DB-15, panel mount solder style	www.Byrne-Electrical.com

2.) Snap Jack into adapter following the instructions provided with the jack.

3.) Once assembled, snap adapter into the notched, square holes in the orientation shown.



NOTE: Please verify fit of jack in adapter before ordering large quantities as manufacturer designs may change without notice.