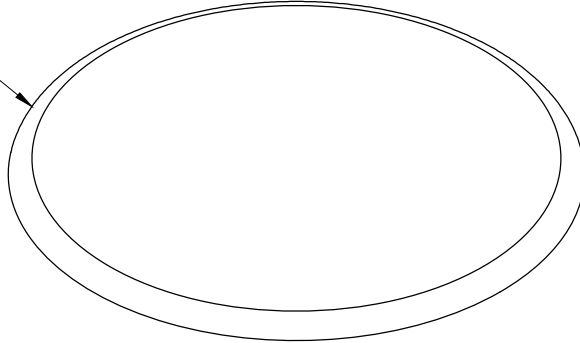
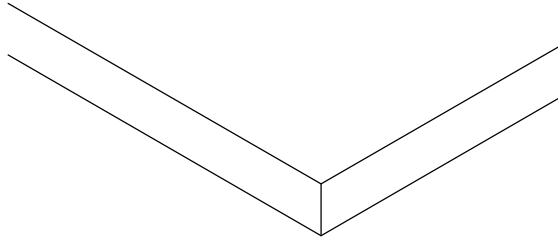
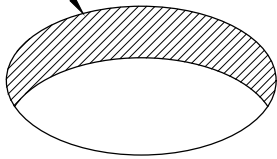


3" DIA.



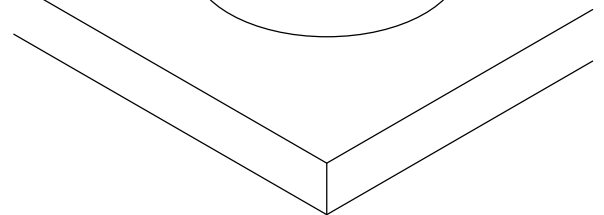
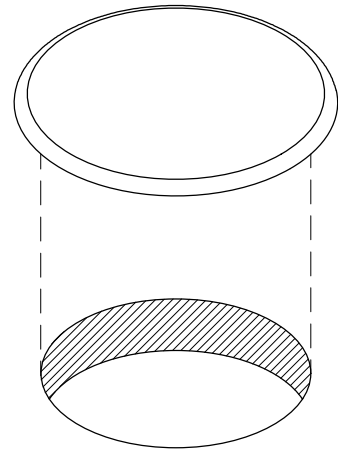
1

2-9/32" DIA.
CUT OUT



Make a cut out on the desired surface. (Note: We do not recommend cutting before receiving part or part sample.)

2



Install EDPW2 into the cut out and be sure it is fully leveled onto worksurface.

TABLE OF CONTENTS:



..... 1x EDPW2