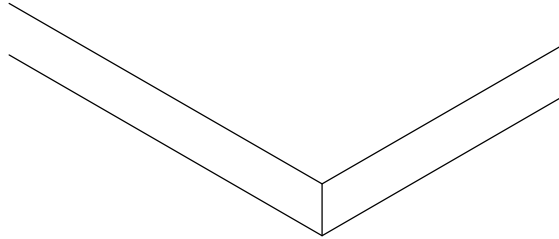
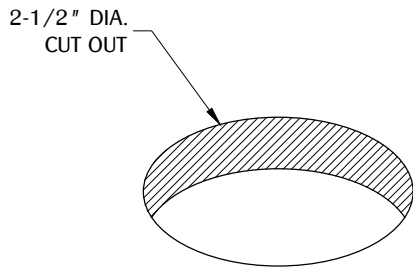
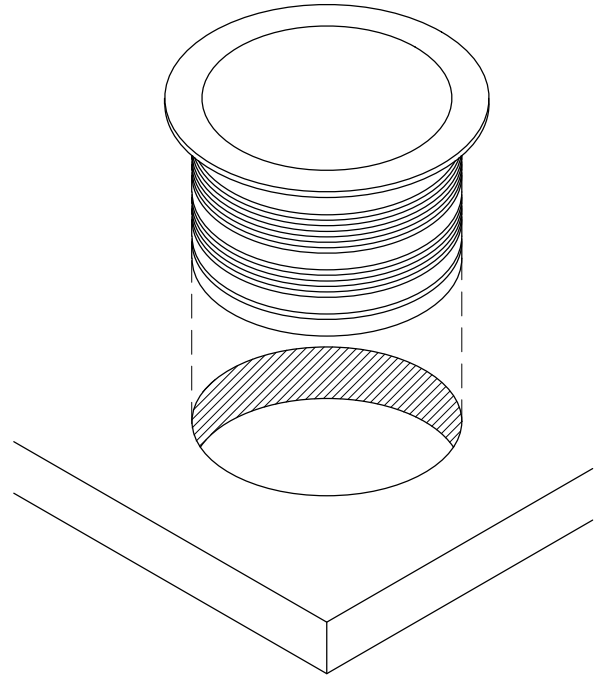


1



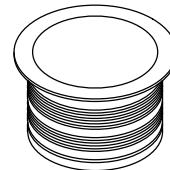
Make a cut out on the desired surface. (Note: We do not recommend cutting before receiving part or part sample.)

2



Install EDPAD1 into the cut out and be sure it is fully leveled onto worksurface.

TABLE OF CONTENTS:



..... 1x EDPAD1