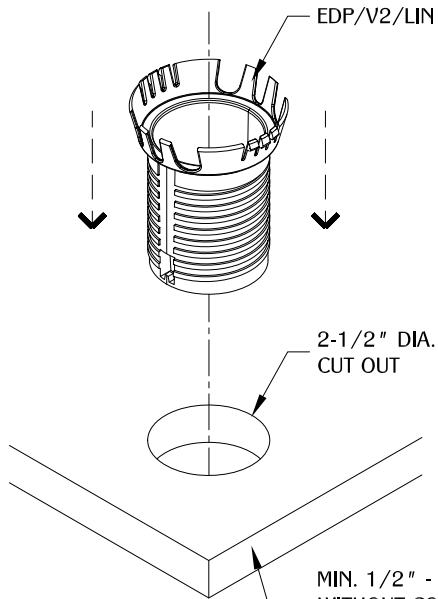
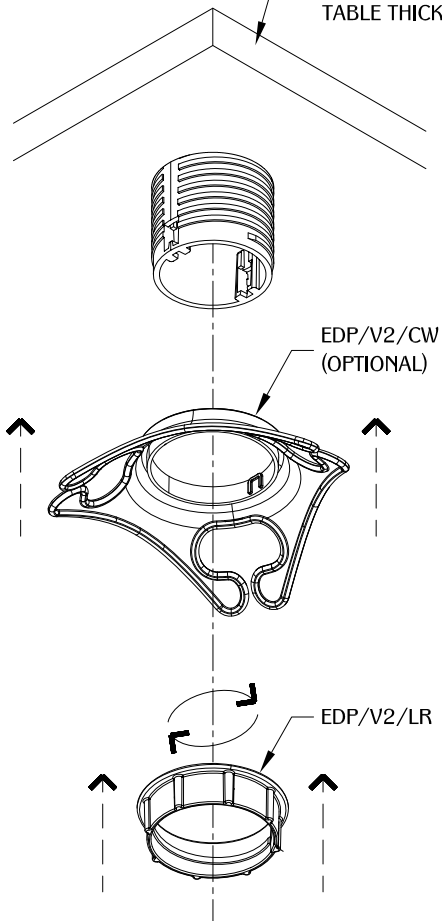


1

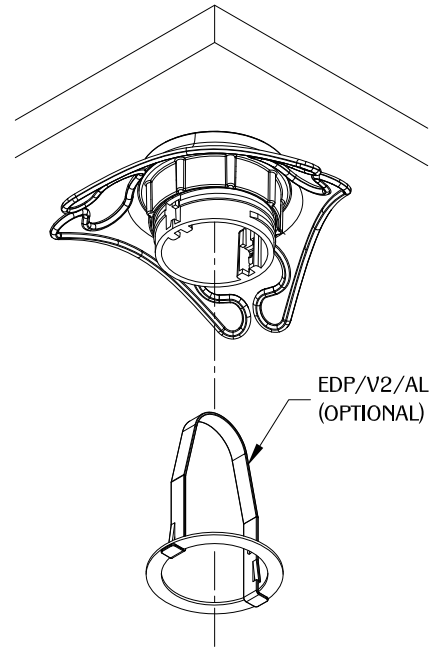


2



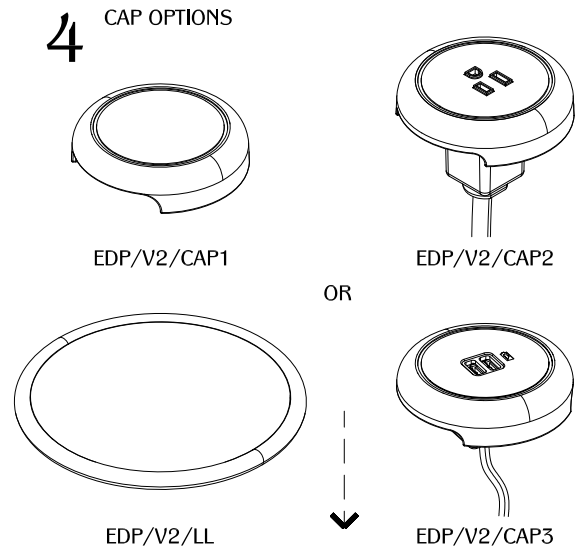
\*\*VIEW FROM BOTTOM

3

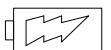
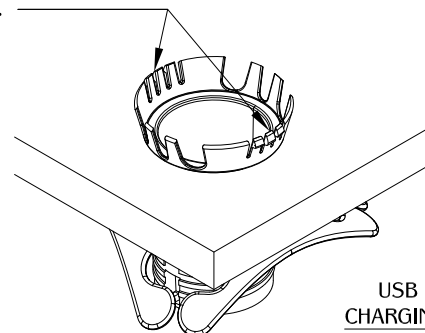


\*\*VIEW FROM BOTTOM

4



Clips on underside of cap are fastened over corresponding clips on grommet liner. Once cap is snapped in place, **DO NOT** twist the cap to remove. Twisting may break the fasteners. Remove by pulling cap straight up to disengage with liner.



USB OUTLETS FOR CHARGING USE ONLY.