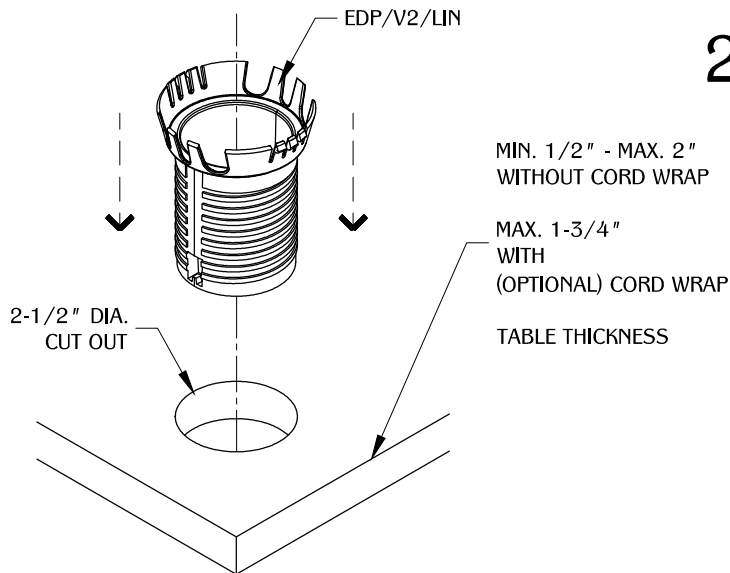
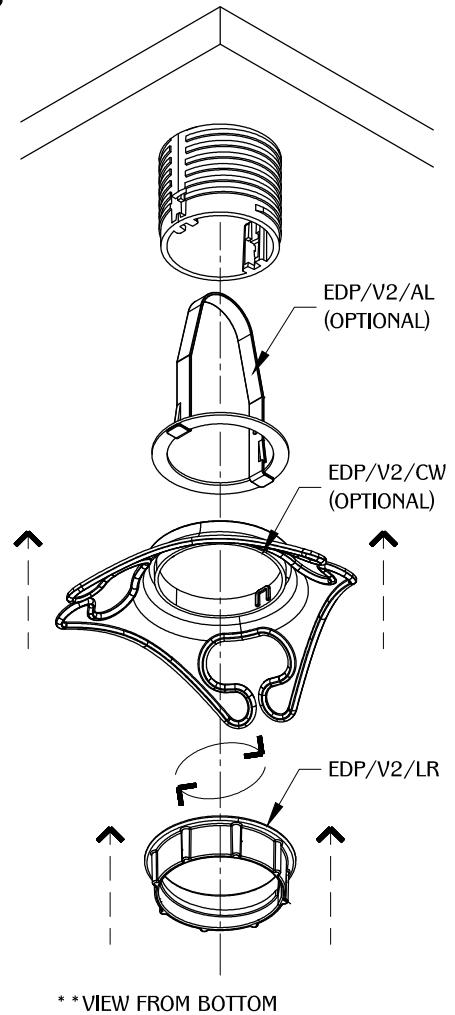


INSTALLATION INSTRUCTIONS

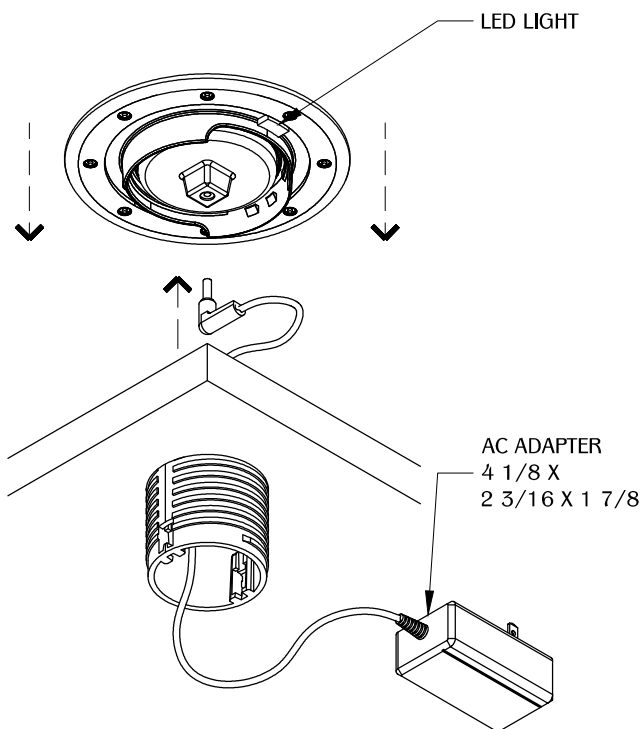
1



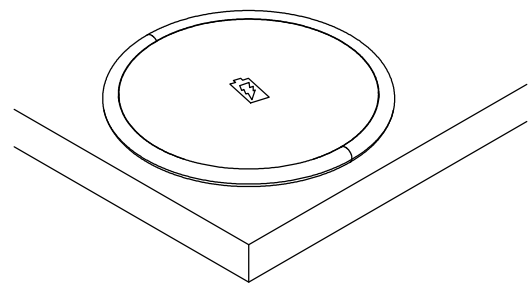
2



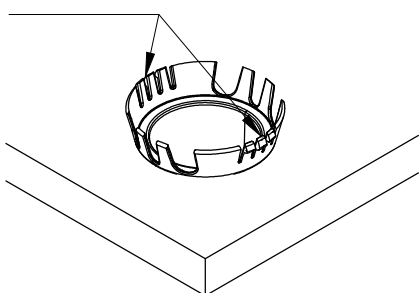
3



4



Clips on underside of cap are fastened over corresponding clips on grommet liner. Once cap is snapped in place, **DO NOT** twist the cap to remove. Twisting may break the fasteners. Remove by pulling cap straight up to disengage with liner.



NOTE:

- 6 ft. cord
- Mobile device must be equipped with a wireless charging receiver (wireless charging accessories not included). Check mobile manufacturer for compatibility.
- Wireless output 5W Max.

TABLE OF CONTENTS:

	...	1x EDP/V2/WC
	...	1x EDP/V2/LIN
	...	1x EDP/V2/LR
	...	1x AC ADAPTER