

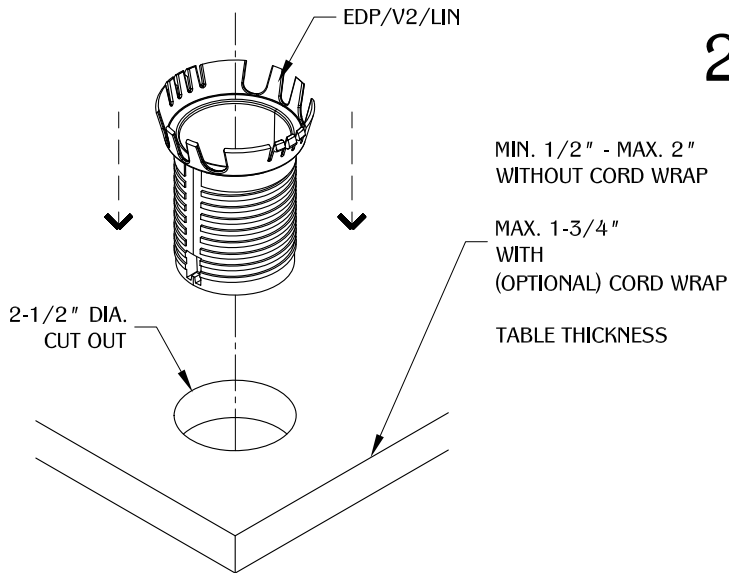
PART #

EDP/V2/LLQI

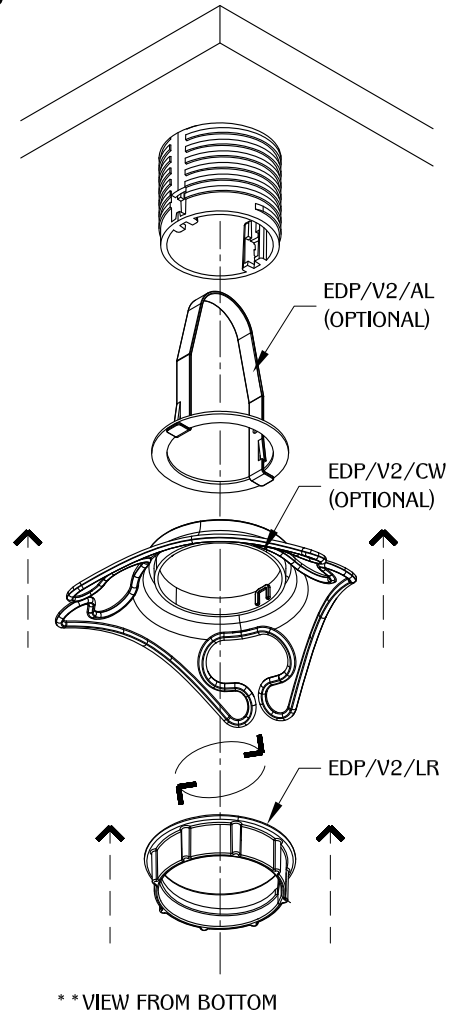
310.318.2491 • 800.523.1269 • www.mockett.com

INSTALLATION INSTRUCTIONS

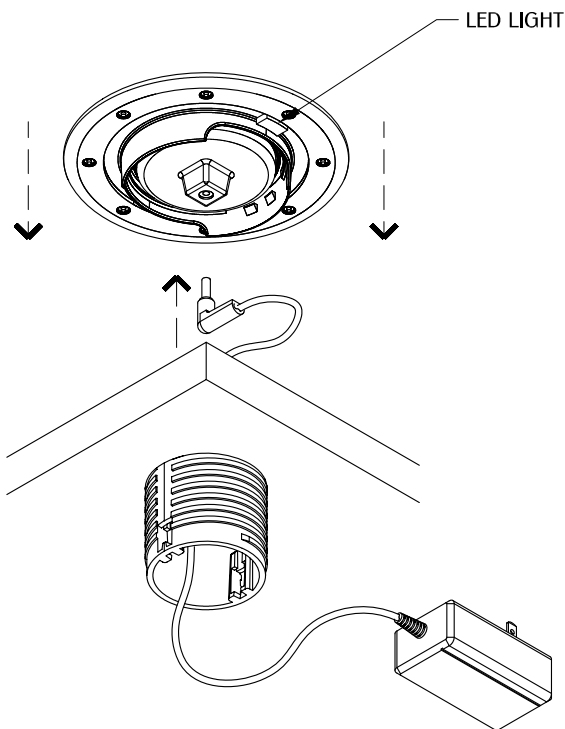
1



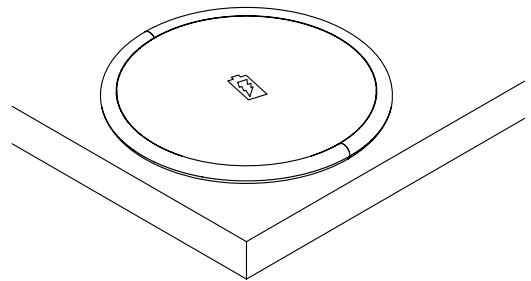
2



3



4



Clips on underside of cap are fastened over corresponding clips on grommet liner. Once cap is snapped in place, **DO NOT** twist the cap to remove. Twisting may break the fasteners. Remove by pulling cap straight up to disengage with liner.

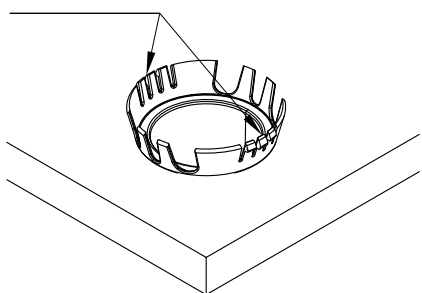
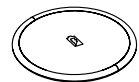


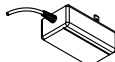


TABLE OF CONTENTS:

	1x EDP/V2/QI
	1x EDP/V2/LIN
	1x EDP/V2/LR
	1x AC/DC ADAPTER