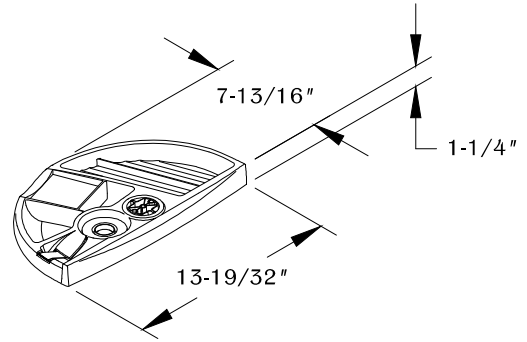
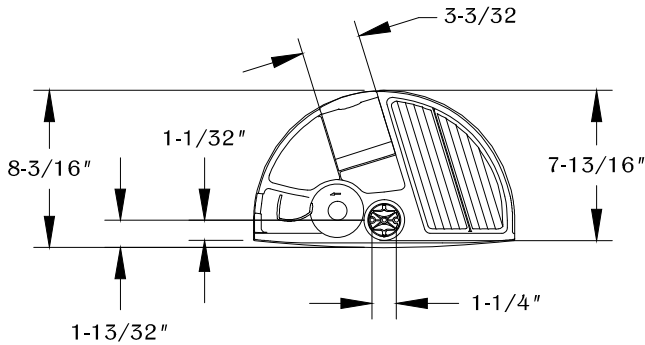


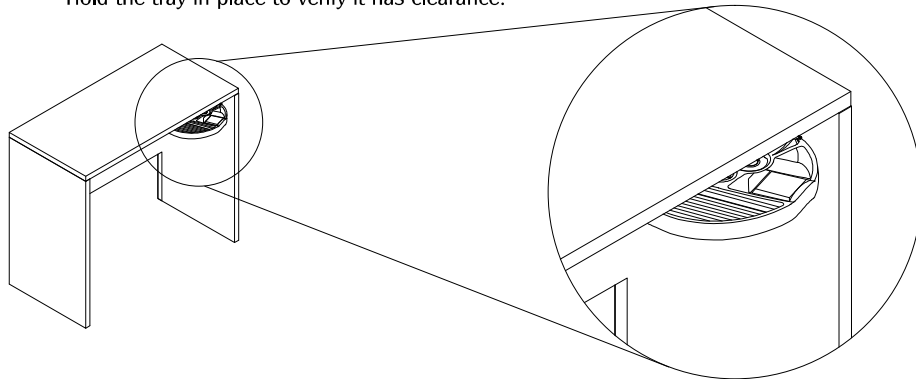
PART #

DWR5B

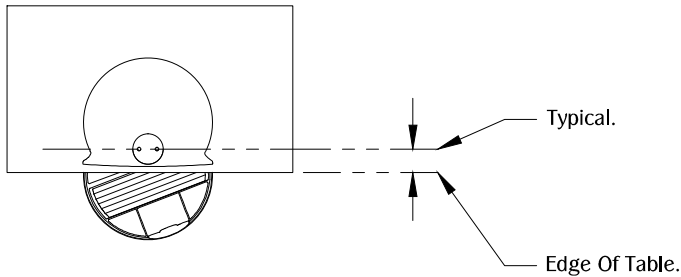
310.318.2491 • 800.523.1269 • www.mockett.com



Step 1 Hold the tray in place to verify it has clearance.



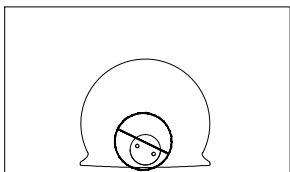
Step 2 Rotate to open and close to decide how far in you want to mount the DWR5B.



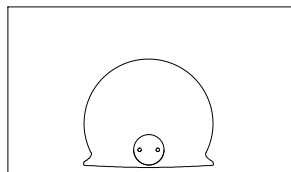
SCREW DISTANCE FROM EDGE OF TABLE.

- Typical: 1-7/16"
- Minimum: 1-1/8"
- Maximum: 1-3/4"

Step 3 Be sure screw holes in center hub are straight and install screws.



Holes misaligned



Holes Correctly aligned

TABLE OF CONTENTS:



.....1 RADIUS JR. ORGANIZER.



.....2 X #10, 1-1/4" Pan Head Screws.