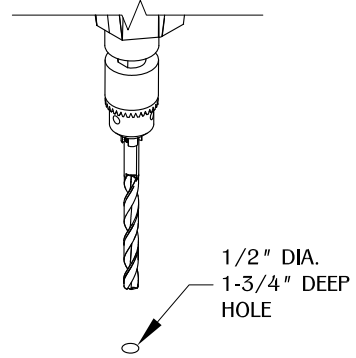
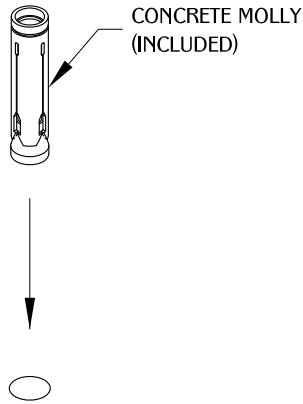


1



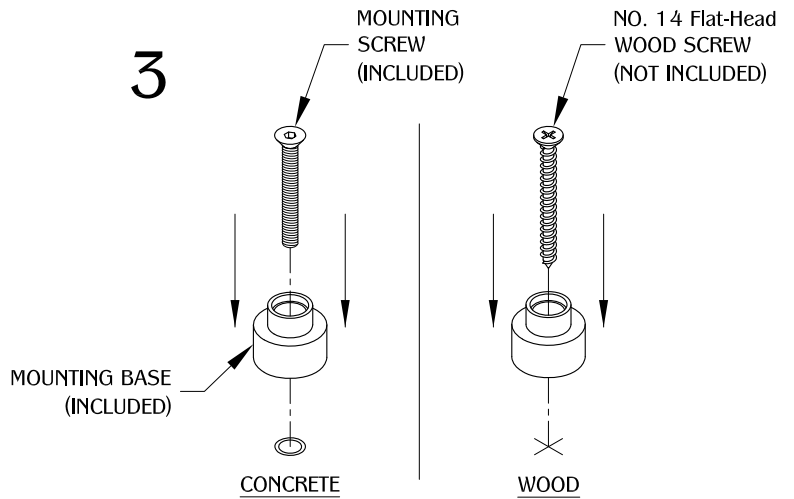
Drill 1/2" DIA. hole at 1-3/4" deep for concrete installation (Note: proceed to Step 3 for wood floor installation).

2



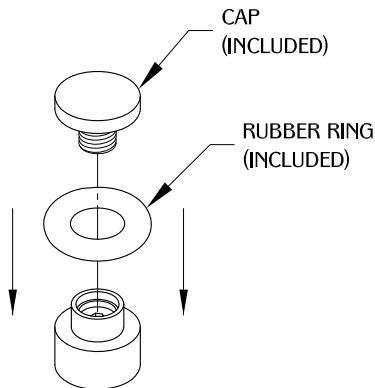
Place concrete molly into pre-drilled hole.

3



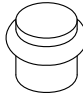


Remove mounting base from DS6. Use mounting screw to secure the mounting base to the floor.

4



Attach the rubber ring to the mounting base and secure it by using the cap.

TABLE OF CONTENTS:

	.....	1X DS6
	.....	1X MOUNTING SCREW
	.....	1X CONCRETE MOLLY