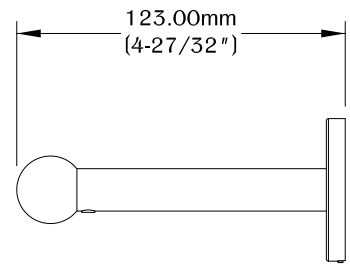
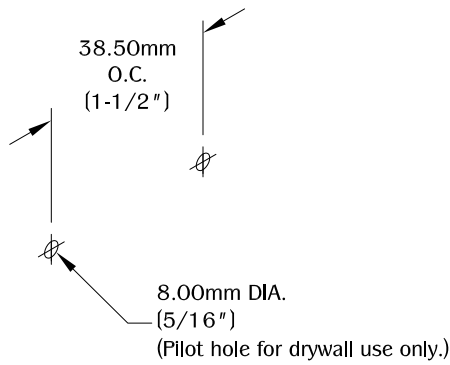


FRONT VIEW



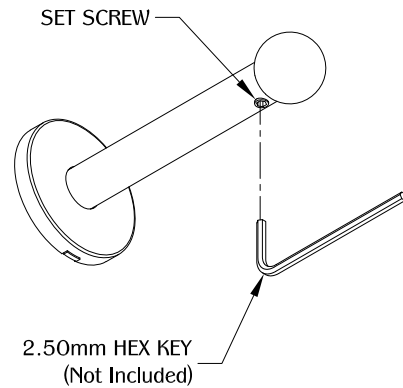
SIDE VIEW

1



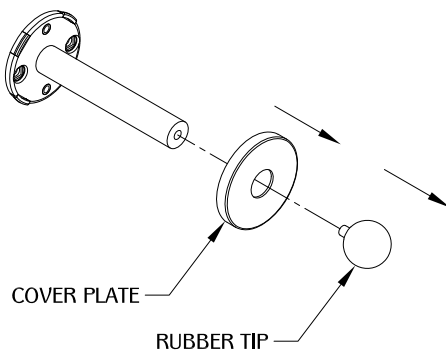
Determine the position and location of the part on the work surface. Mark the mounting positions for the mounting hardware.

2



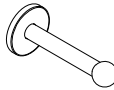


Use a 2.50mm hex key to remove the set screw on the part.

3

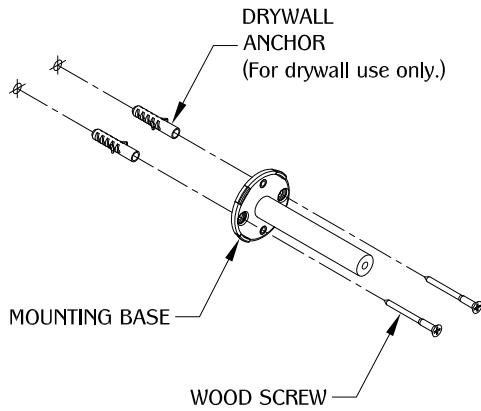


Remove the cover plate and the rubber tip from part.

TABLE OF CONTENTS:

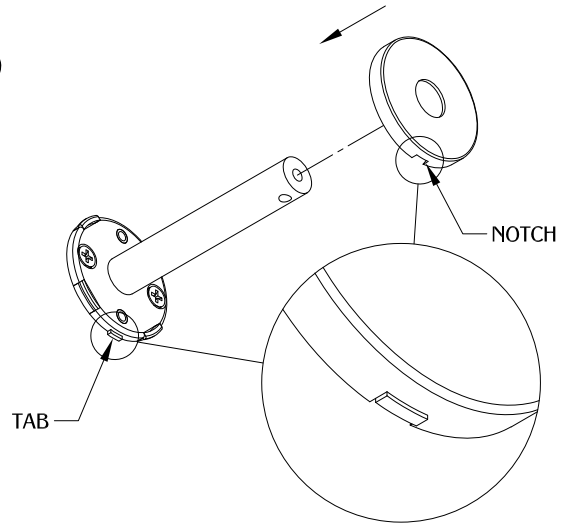
1X DS5
2X 2" No. 12 Flat Head Wood Screws
2X Drywall Anchor

4



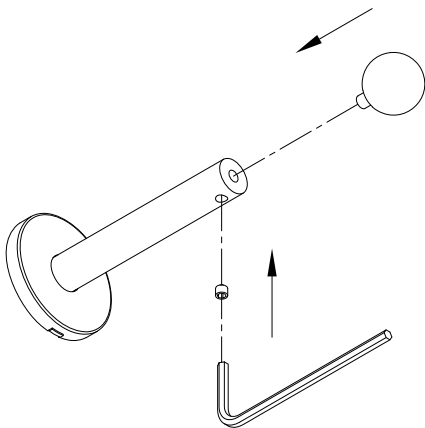
Align the mounting holes on the part with the pilot holes or marked mounting position on the work surface and secure by using the included mounting hardware.

5



Reattach the cover plate to the part by aligning the notch on the cover plate with the tab on the mounting base.

6



Reattach the rubber tip to the part and secure by firmly tightening the set screw.