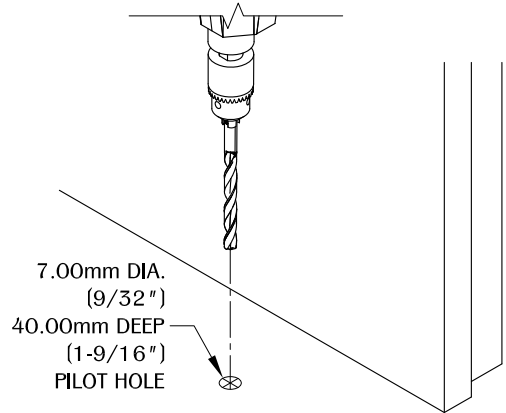


NOTE:

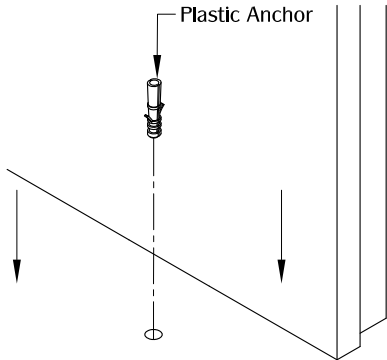
- Prior to any installation please consider, the weight of the door corner and the type of floor.
- Use caution if installing on heated floor.
- Do not install door stop within foot traffic area as this may create a tripping hazard.

1



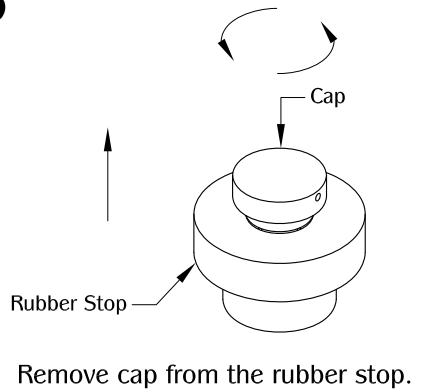
Determine the position and location of the part in the work surface behind the door. Mark the mounting position and drill the pilot hole.

2



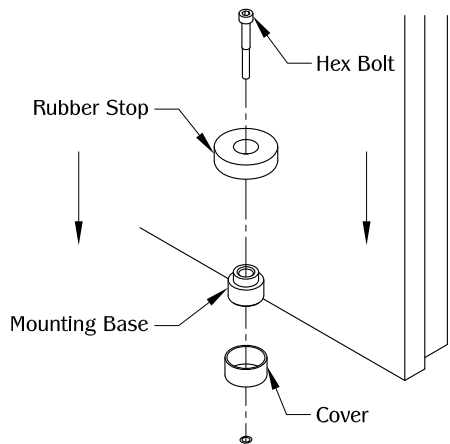
Install the plastic anchor into pre-drilled hole.

3



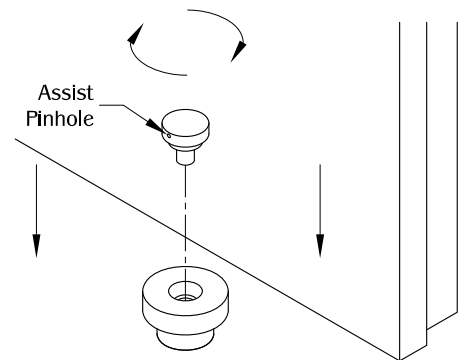
Remove cap from the rubber stop.

4



Align pieces of DS3 to plastic anchor. Secure the assembly with the hex bolt.

5



Screw cap into mounting base. Use the assist pinhole for fastening support.

TABLE OF CONTENTS:



..... 1X DS3



..... 1X Plastic Anchor



..... 1X 1-31/32" M6-1.0 Thread Hex Head Bolt