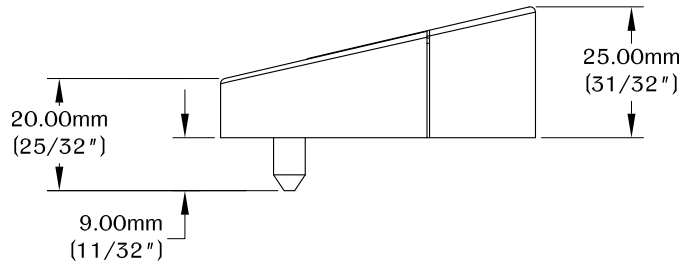
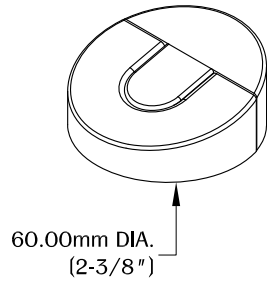


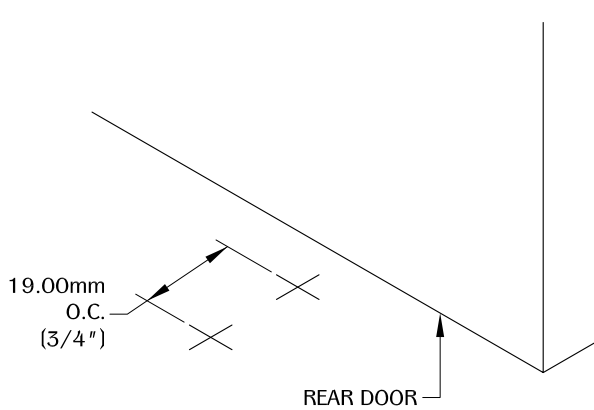
NOTE:

- Prior to any installation please consider, the weight of the door corner and the type of floor.
- Use caution if installing on heated floor.
- Do not install door stop within foot traffic area as this may create a tripping hazard.
- Hardware provided is for wood installation only.
- Hardware not included for installation on other work surfaces.



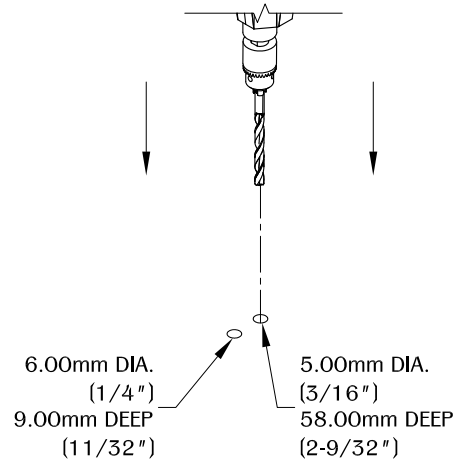
FRONT VIEW

1



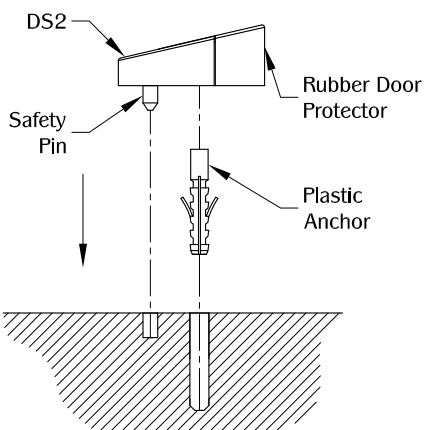
Determine the position and location of the part in the work surface. Mark the mounting positions.

2



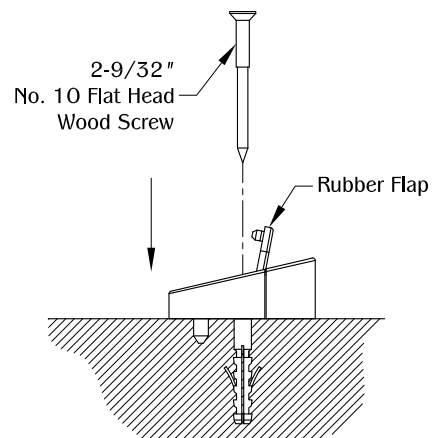
Drill the pilot holes for the safety pin and 2-9/32" No. 10 flat head wood screw.

3



Place the plastic anchor into the pilot hole. Install the DS2 safety pin into the pin hole and align the mounting hole with the plastic anchor.

4



Secure the part by opening the rubber flap and using the 2-9/32" No. 10 flat head wood screw. Cover the top by closing the rubber flap.

TABLE OF CONTENTS:



..... 1X DS2



..... 1X Plastic Anchor



..... 1X 2-9/32" No. 10 Flat Head Wood Screw