

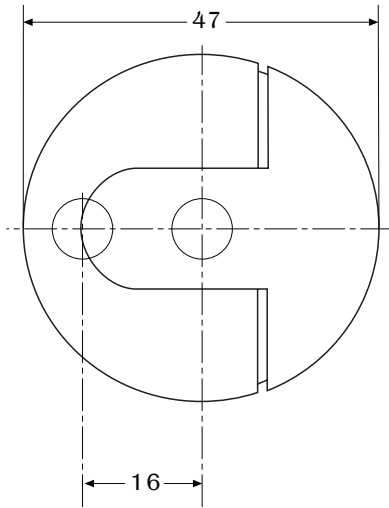
MOCKETT

DOUG MOCKETT & COMPANY, INC.

Part # **DS19**

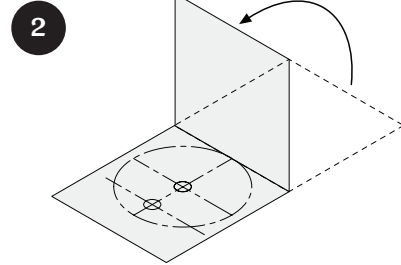
310.318.2491 • 800.523.1269 • www.mockett.com

Instructions

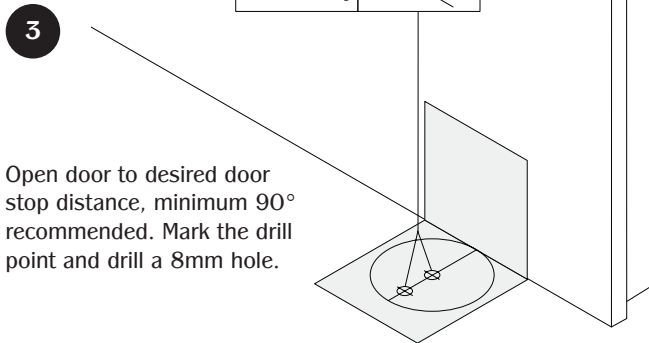


1
Door stop template for floor drilling pattern

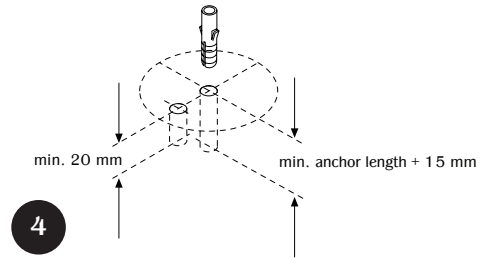
Cardboard template included in box.



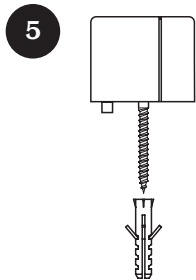
Fold the cardboard template at 90°.



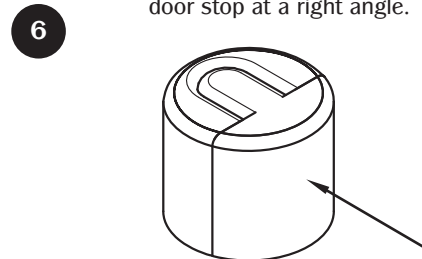
3
Open door to desired door stop distance, minimum 90° recommended. Mark the drill point and drill a 8mm hole.



4
Press or tap the plastic anchor into the drill hole.



5
Position door stop with the safety pin into the pin hole and screw a counter sunk screw into the anchor.



6
After the installation the door should be touching door stop at a right angle.

Prior to any installation please consider the weight of the door, impact angle of the door against the door stop, height of the lower door corner and the type of floor. Depending on these factors different door stops or installation hardware should be considered.

Use caution if installing on heated floor.

Do not install door stop within foot traffic area as this may create a tripping hazard.