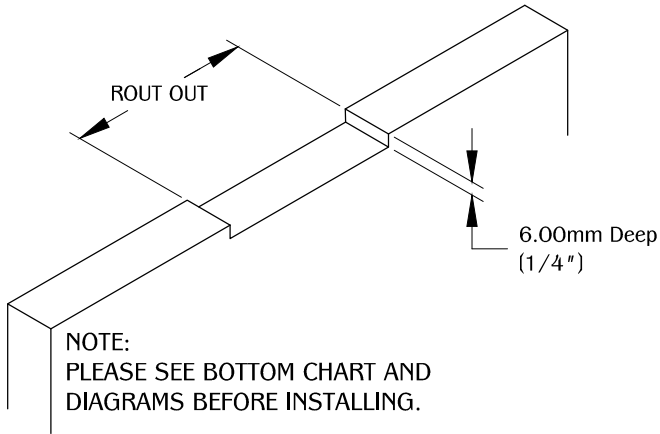
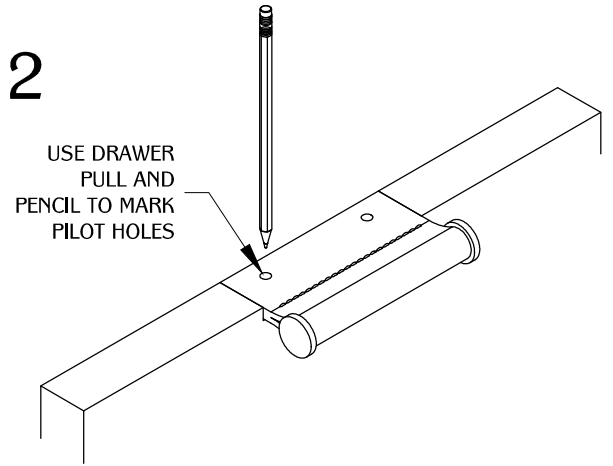


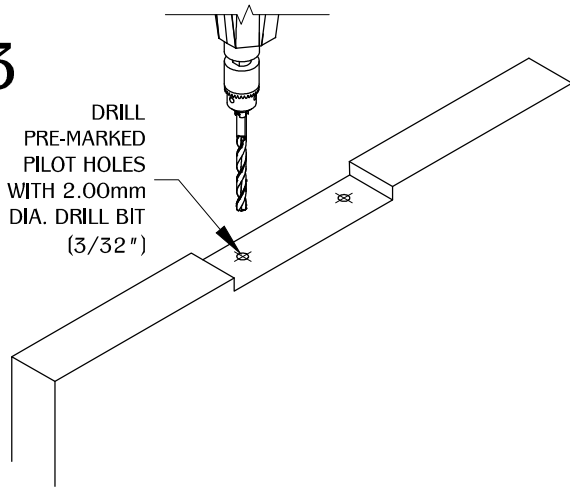
1



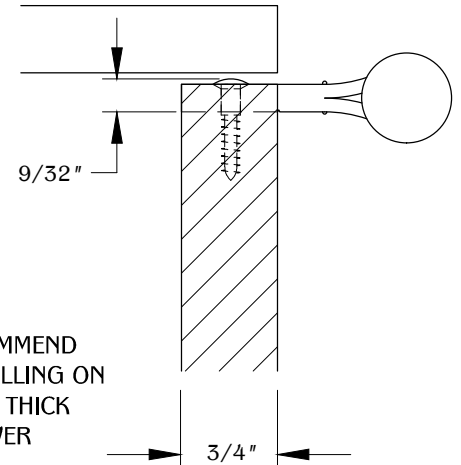
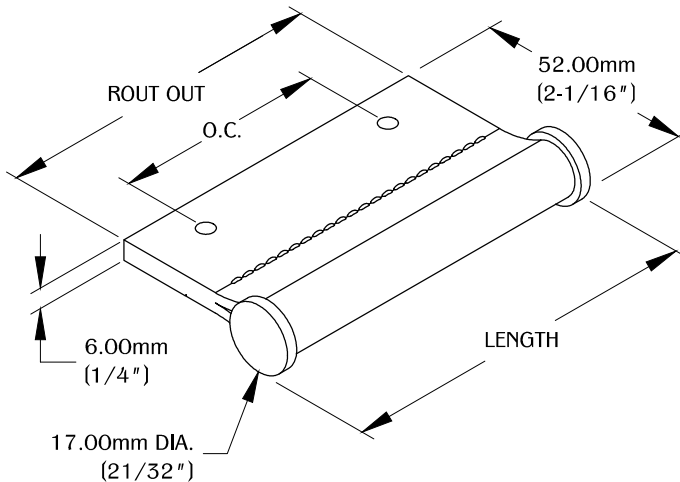
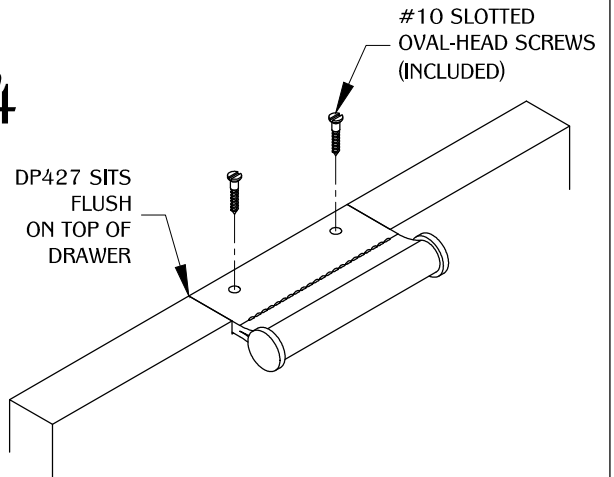
2



3



4



NOTE:  
ALL DIMENSIONS HAVE  
A + / - 1/16"  
TOLERANCE. WE DO  
NOT RECOMMEND  
DRILLING OR CUTTING  
ANY HOLES BEFORE  
RECEIVING A PRODUCT  
OR A PRODUCT  
SAMPLE.

	LENGTH	ROUT OUT	O.C.	HOLE #
DP427A	92.00mm (3-5/8")	86.00mm (3-3/8")	54.00mm (2-1/8")	2
DP427B	142.00mm (5-19/32")	136.00mm (5-11/32")	52.00mm - 52.00mm (2-1/16") (2-1/16")	3
DP427C	192.00mm (7-9/16")	186.00mm (7-5/16")	50.00mm - 54.00mm - 50.00mm (1-31/32") (2-1/8") (1-31/32")	4