

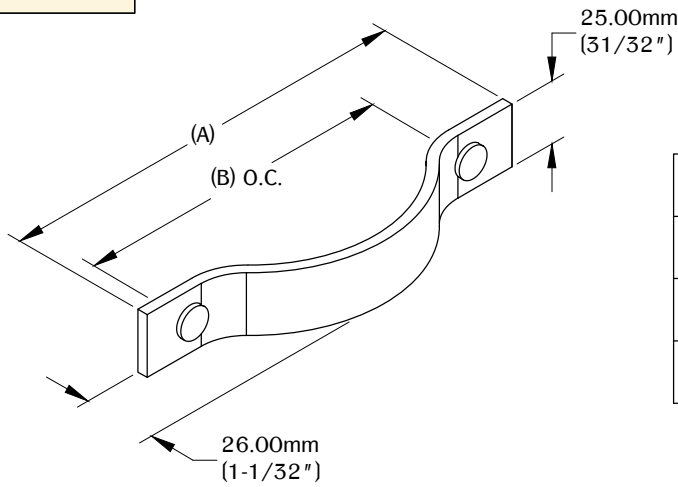
PART #

DP420

310.318.2491 • 800.523.1269 • www.mockett.com

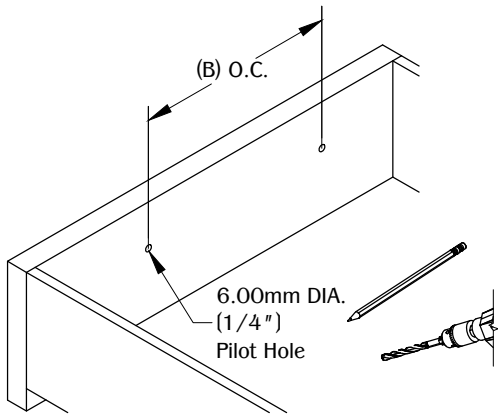
NOTE:

- Front drawer panel thickness is 16.00mm (5/8") MIN. to 19.00mm (3/4") MAX.
- All dimensions have a + / - 1/32" tolerance. we do not recommend drilling or cutting any holes before receiving a product or a product sample.
- Parts are handmade and slight variations in textures and color may occur.



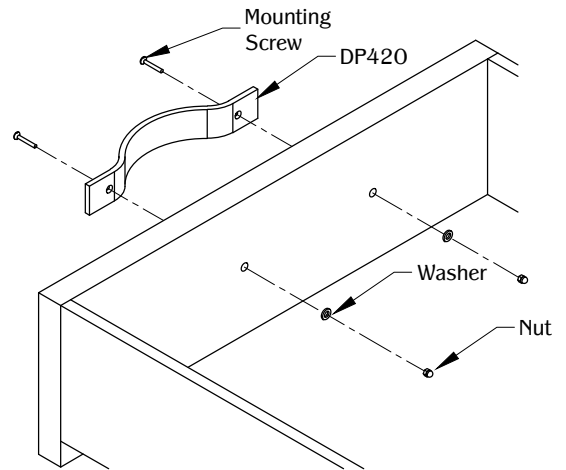
PART #	(A)	(B) O.C.
DP420A	130.00mm (5-1/8")	96.00mm (3-25/32")
DP420B	168.00mm (6-5/8")	128.00mm (5-1/32")
DP420C	200.00mm (7-7/8")	160.00mm (6-5/16")

1



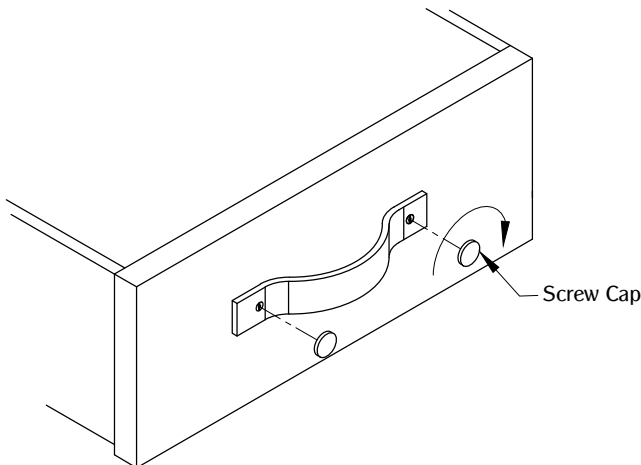
Determine the position and location of the part in the work surface. Mark the mounting positions and drill the holes for the mounting hardware.

2








Use (2) screws to secure the part in to the work surface. Make sure the part is fully level on the work surface.

3



Align the screw cap to the specialty mounting screw and tighten until screw cap is secure.

TABLE OF CONTENTS:

 1X DP420
 2X Specialty Mounting Screw
 2X Washer
 2X Nut
 2X Screw cap