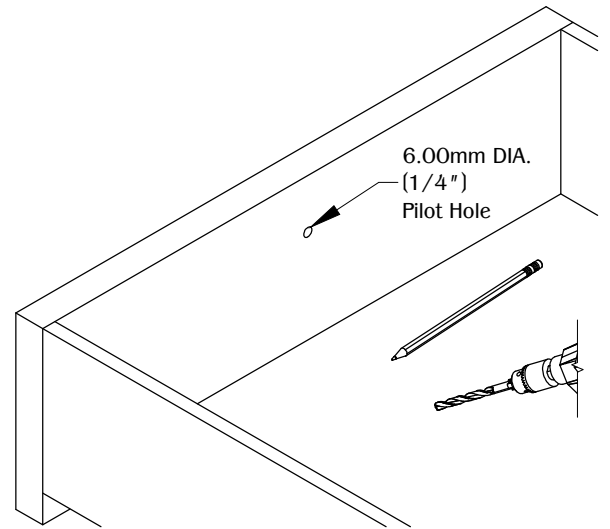
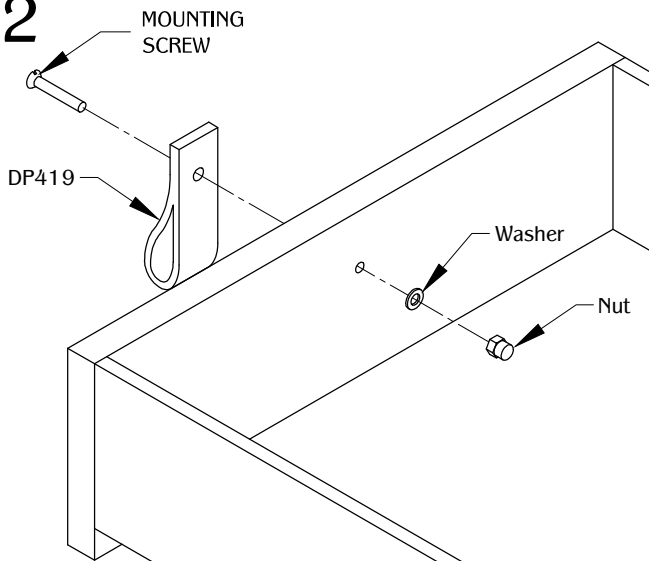


1



Determine the position and location of the part in the work surface. Mark the mounting position and drill the hole for the mounting hardware.

2



Use (1) mounting screw to secure the part in to the work surface. Make sure the part is fully level on the work surface.

NOTE:

- Front drawer panel is 16.00mm (5/8") MIN. to 19.00mm (3/4") MAX.
- All dimensions have a +/- 1/16" tolerance. We do not recommend drilling or cutting any holes before receiving a product or a product sample.

3

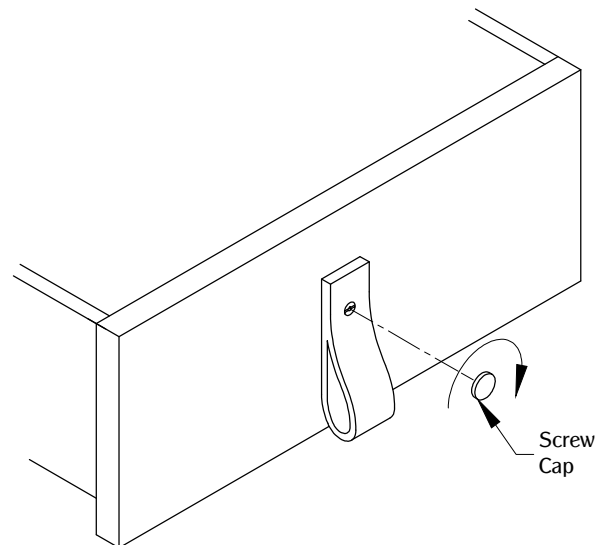







TABLE OF CONTENTS:

 1X DP419
 1X SPECIALTY MOUNTING SCREW
 1X WASHER
 1X NUT
 1X SCREW CAP