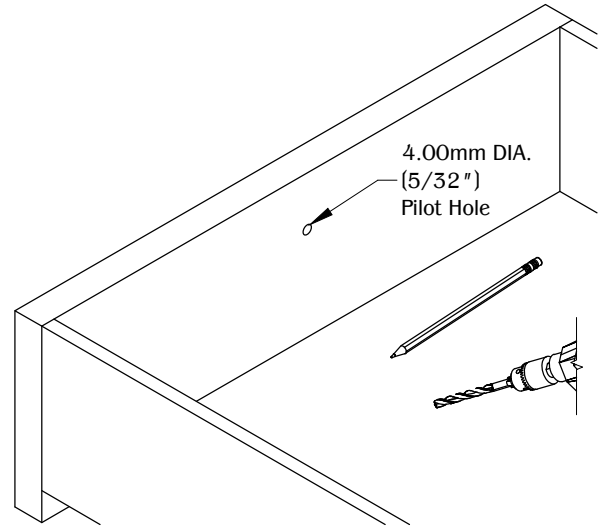


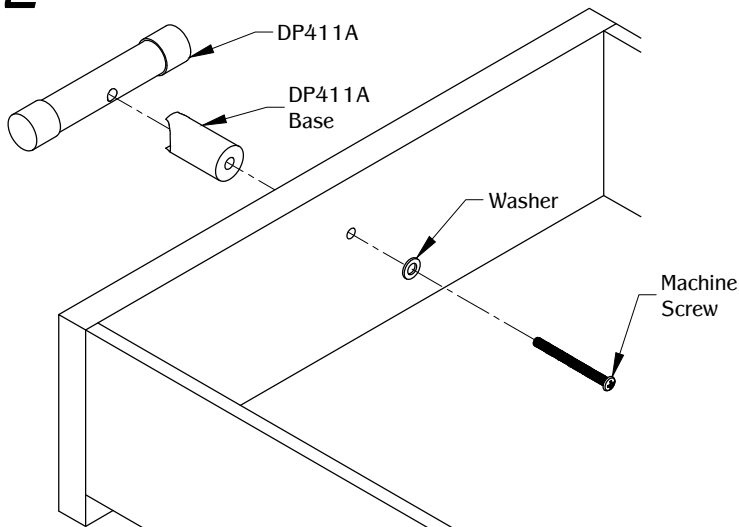
RIGHT VIEW

1

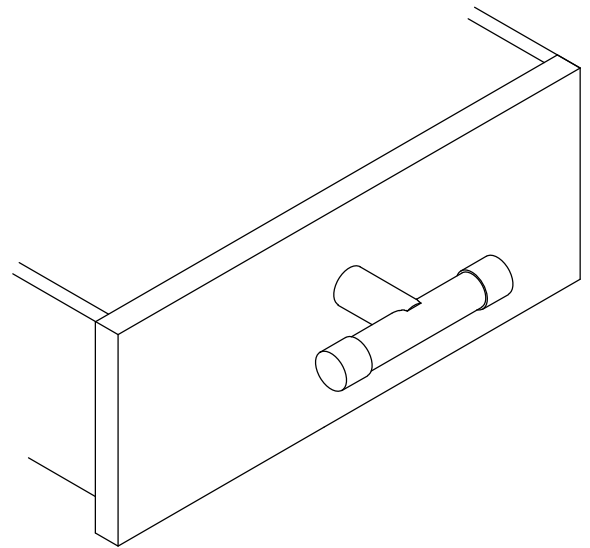


Determine the position and location of the part in the work surface. Mark the mounting position and drill the hole for the mounting hardware.

2



3

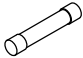





Use (1) mounting screw to secure the part in to the work surface. Make sure the part is fully level on the work surface.

NOTE:

- Mounting hardware not included for other front drawer panel thickness.
- Front drawer panel thickness is 1" MAX.
- Part is handmade and slight variations in textures and color may occur.
- All dimensions have a + / - 1/32" tolerance. We do not recommend drilling or cutting any holes before receiving a product or a product sample.

TABLE OF CONTENTS:

1X DP411A
1X DP411A Base
1X Washer
1X 2" 4mm-70 thread Machine screws