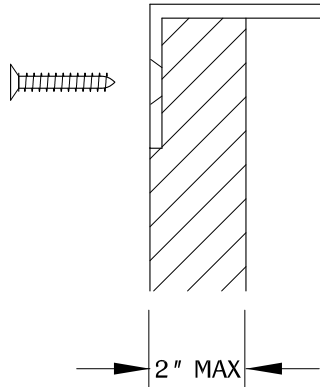
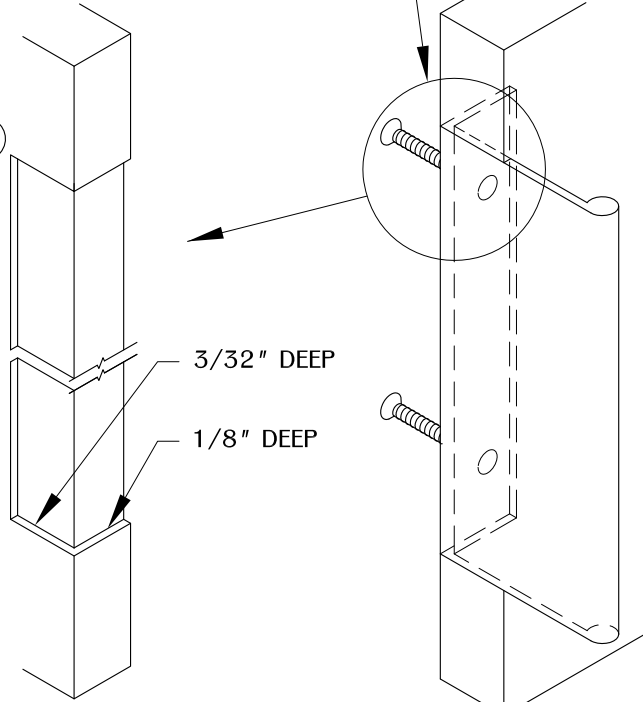


OPTION A



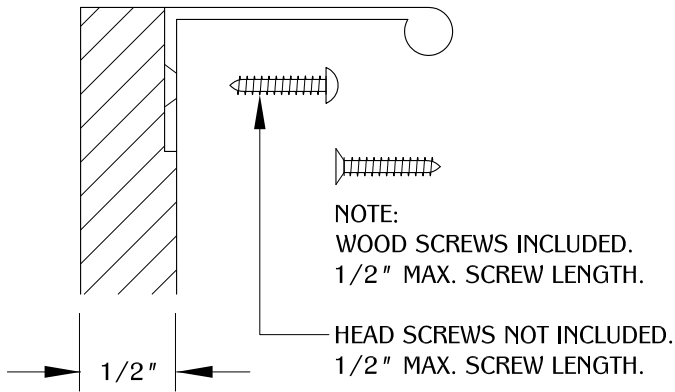
NOTE:
WOOD SCREWS INCLUDED.
1/2" MAX. SCREW LENGTH.

DP3 SITS FLUSH
ON TOP/SIDE &
REAR FACES OF
DRAWER OR DOOR

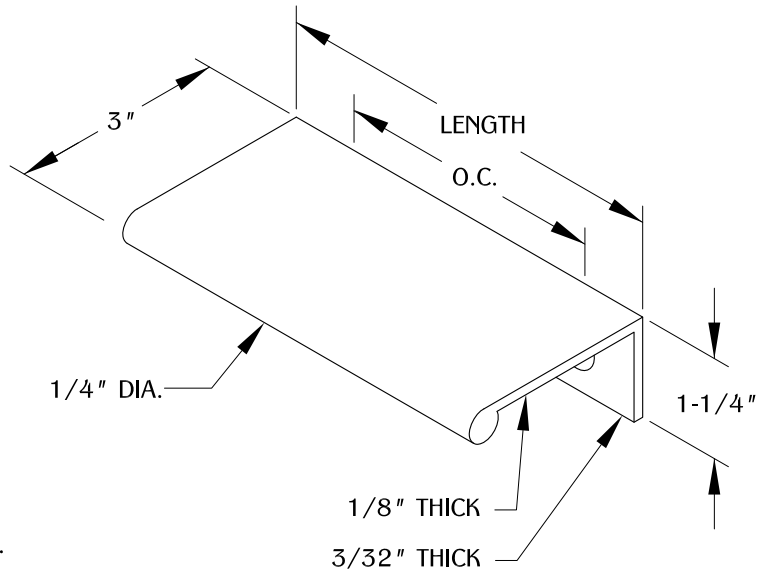


REAR FACE VIEW

OPTION B



NOTE:
ALL DIMENSIONS HAVE A +/- 1/32" TOLERANCE.
WE DO NOT RECOMMEND DRILLING OR CUTTING ANY
HOLES BEFORE RECEIVING A PRODUCT OR A PRODUCT
SAMPLE.



PART #	LENGTH	O.C.	HOLES
DP3/DR/6	6"	4"	2
DP3/DR/8	8"	3"	3
DP3/DR/10	10"	4"	3
DP3/DR/12	12"	3-11/32"	4