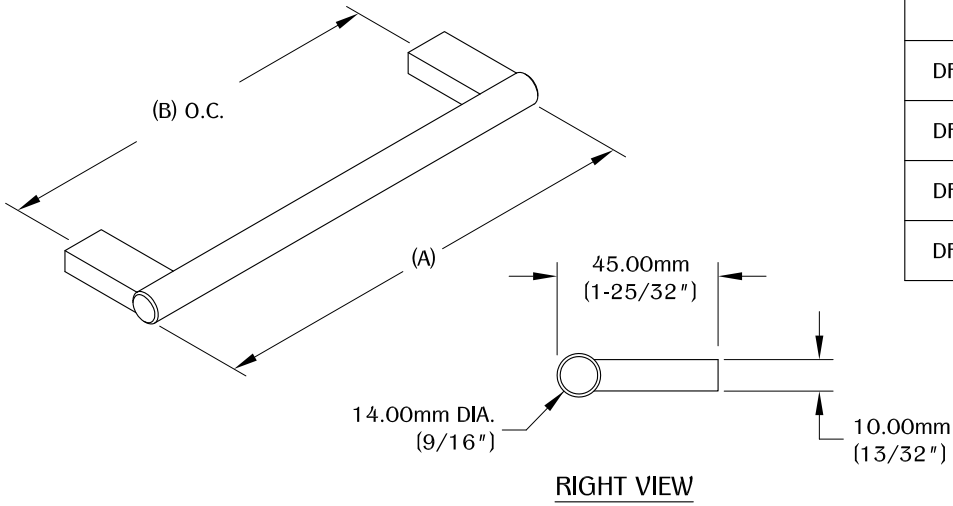


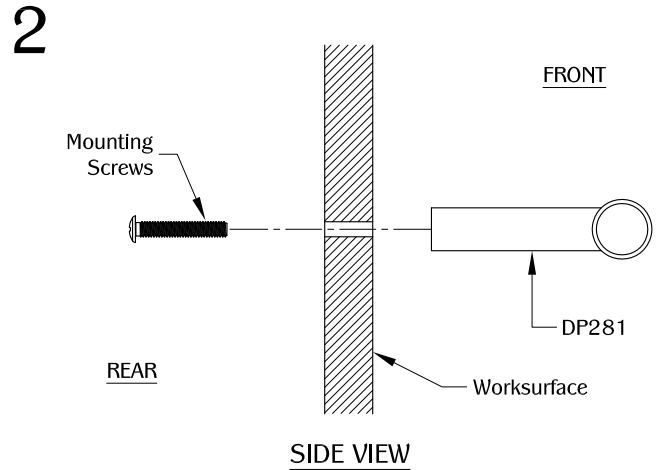
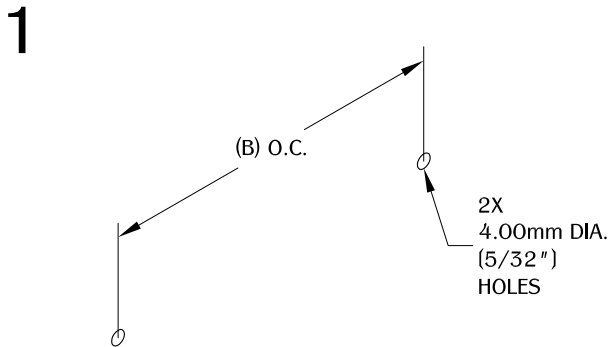
PART #

DP281

310.318.2491 • 800.523.1269 • www.mockett.com



	(A) Length	(B) O.C.
DP281A	182.00mm (7-5/32")	160.00mm (6-5/16")
DP281B	214.00mm (8-7/16")	192.00mm (7-9/16")
DP281C	314.00mm (12-3/8")	292.00mm (11-15/32")
DP281D	364.00mm (14-11/32")	342.00mm (13-15/32")



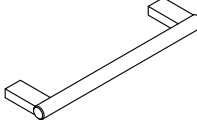

Determine the position and location of the part in the work surface. Mark the mounting positions and drill the pilot holes for the mounting hardware.

Use (2) screws to secure the part in to the work surface. Make sure the part is fully level on the work surface.

NOTE:

- Mounting screw lengths available upon request.
- All dimensions have a + / - 1/32" tolerance. We do not recommend drilling or cutting any holes before receiving a product or a product sample.

TABLE OF CONTENTS:

1X DP281
2X 1" 4mm-70 thread Machine screws