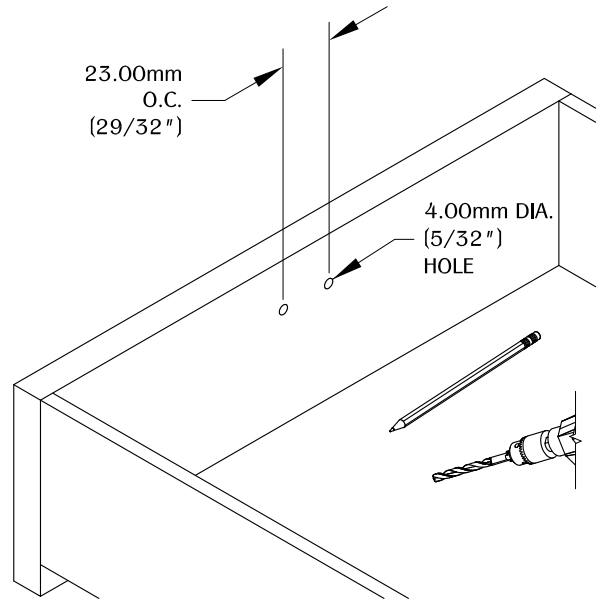
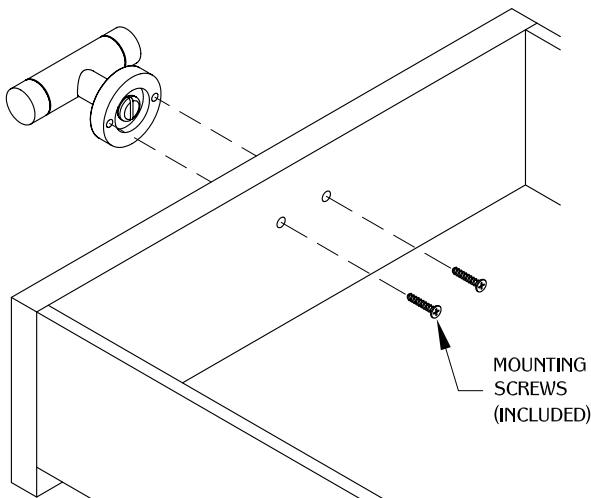


RIGHT VIEW

1

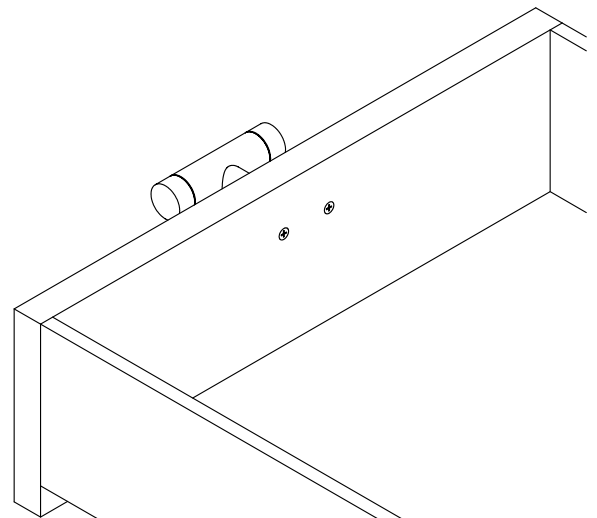


2



MOUNTING SCREWS (INCLUDED)

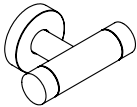

3



NOTE:

- 3/4" thick material only.
- All dimensions have a +/- 1/16" tolerance. We do not recommend drilling or cutting any holes before receiving a product or a product sample.

TABLE OF CONTENTS:

	1X DP279
	2X DP279-SCREW