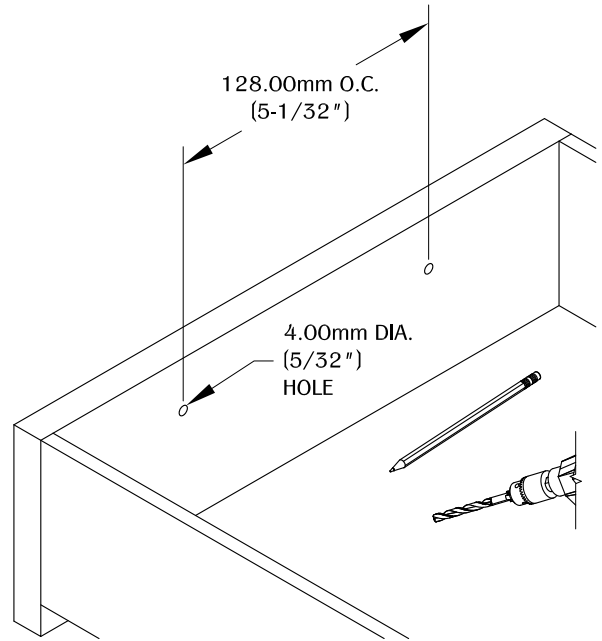
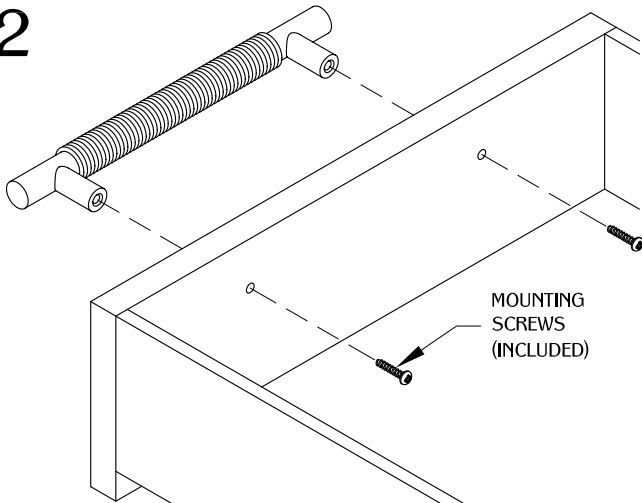


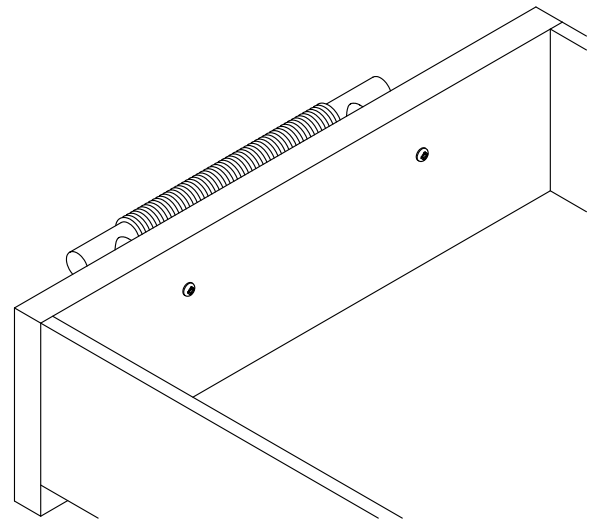
1



2



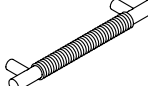

3



NOTE:

- Mounting screw lengths available upon request.
- All dimensions have a + / - 1/16" tolerance. We do not recommend drilling or cutting any holes before receiving a product or a product sample.

TABLE OF CONTENTS:

 1X DP277
 2X 1-1/4" 4mm - 70 THREAD MACHINE SCREWS