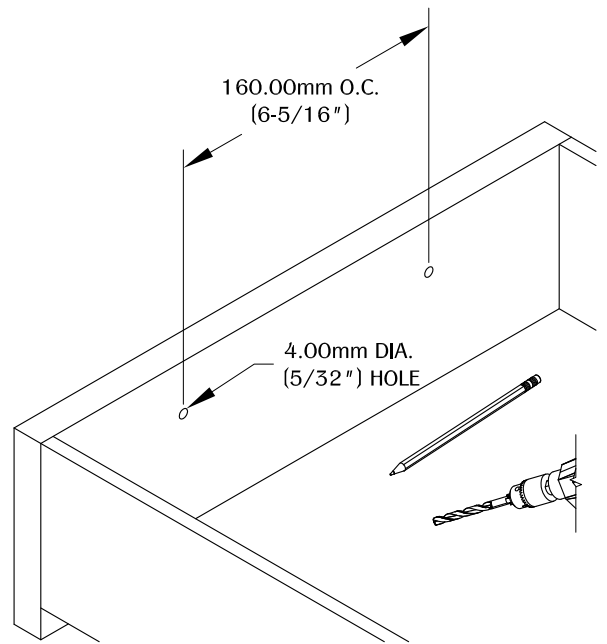
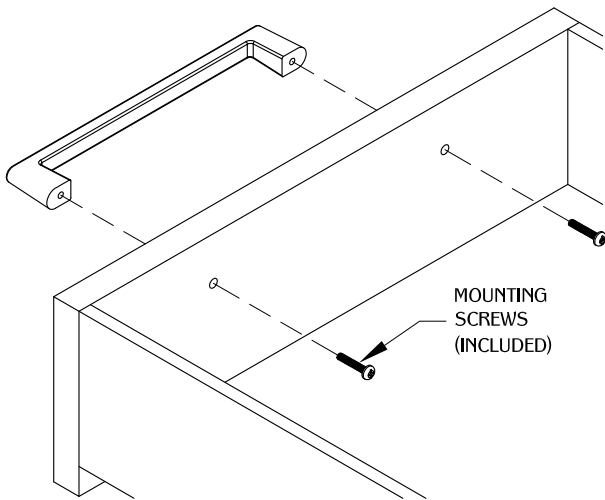


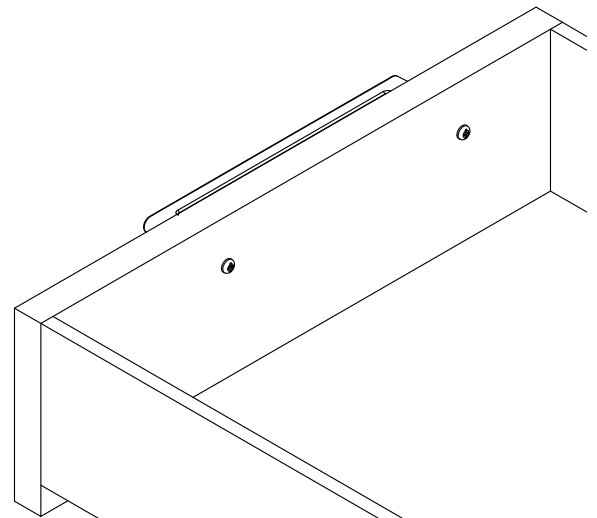
1



2



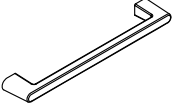

3



NOTE:

- Mounting screw lengths available upon request.
- All dimensions have a + / - 1/32" tolerance. We do not recommend drilling or cutting any holes before receiving a product or a product sample.

TABLE OF CONTENTS:

 DP275A
 2X 1" 4mm-70 THREAD MACHINE SCREWS