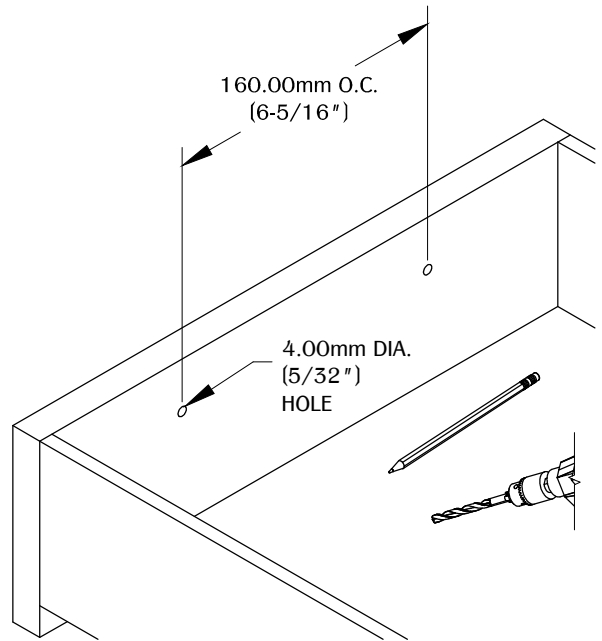
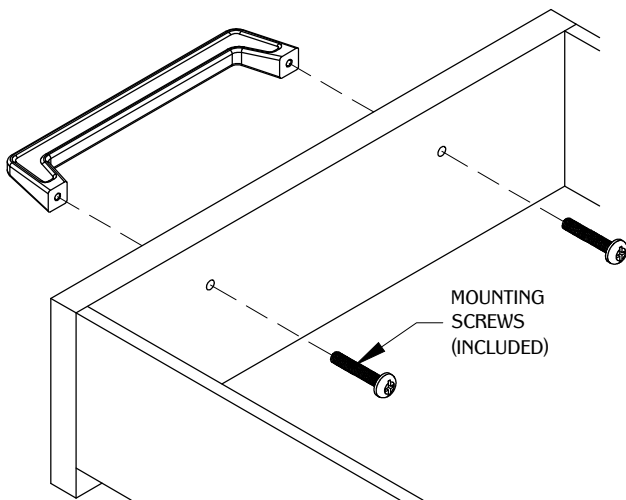


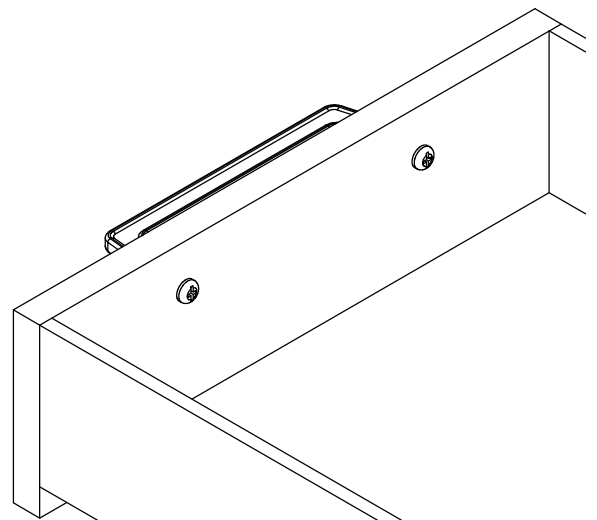
1



2



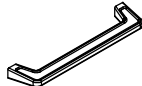

3



**NOTE:**

- Mounting screw lengths available upon request.
- All dimensions have a  $\pm 1/32"$  tolerance. We do not recommend drilling or cutting any holes before receiving a product or a product sample.

TABLE OF CONTENTS:

	.....	1X DP272
	.....	2X 1" 4mm - 70 Thread Machine screws