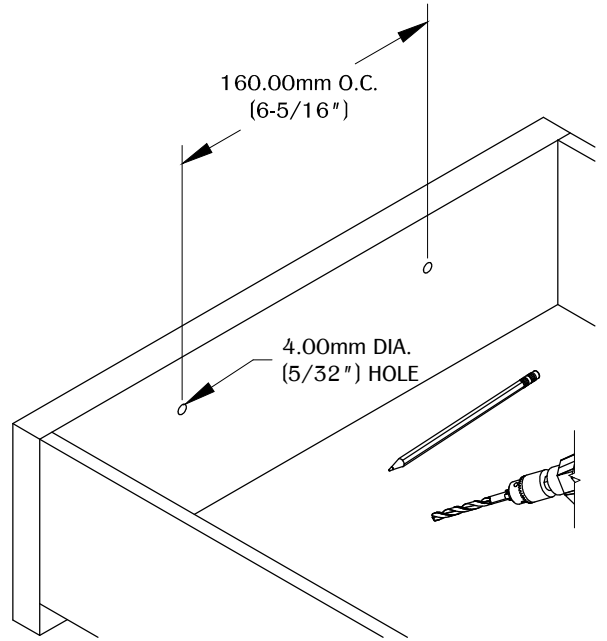
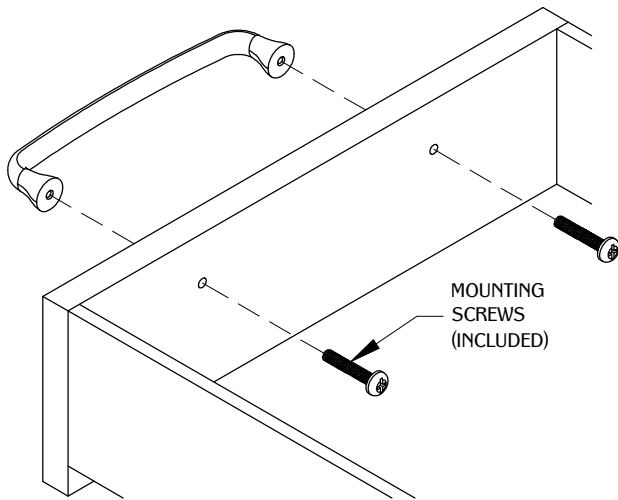


SIDE VIEW

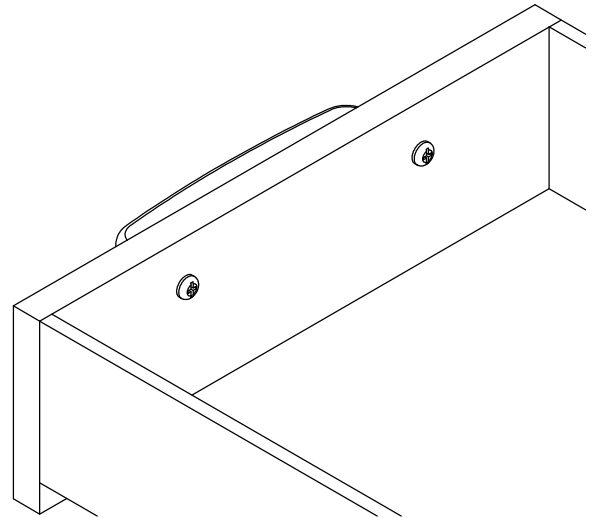
1



2





3



NOTE:

- Mounting screw lengths available upon request.
- All dimensions have a $\pm 1/32$ " tolerance. We do not recommend drilling or cutting any holes before receiving a product or a product sample.

TABLE OF CONTENTS:

 1X DP270
 2X 1" 4mm - 70 Thread Machine screws