

OPTION A

DP254 SITS ON TOP OF DRAWER DOOR

1/2" Countersunk screws included can be used with Option A or B.

OPTION B

1/16" DEEP* DP254 SITS FLUSH ON TOP OF DRAWER DOOR

1/16" DEEP*

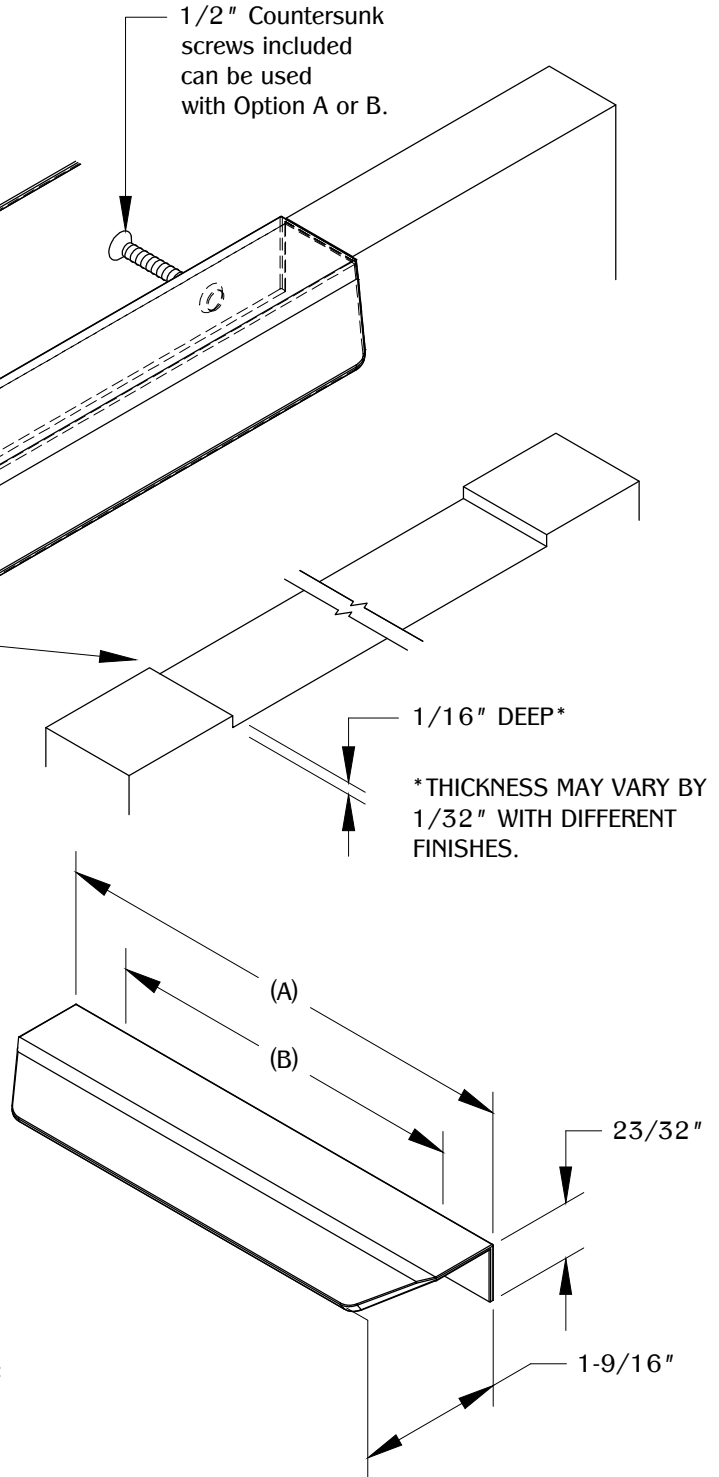
*THICKNESS MAY VARY BY 1/32" WITH DIFFERENT FINISHES.

OPTION C

Pan head screws not included. 1/2" MAX. SCREW LENGTH. (NOTE: Flat head screws included with part not recommended for this option.)

1/2"

NOTE:
ALL DIMENSIONS HAVE A +/- 1/32" TOLERANCE.
WE DO NOT RECOMMEND DRILLING OR CUTTING ANY HOLES BEFORE RECEIVING A PRODUCT OR A PRODUCT SAMPLE.



	(A)	(B) O.C.
DP254A	2-3/8"	25/32"
** DP254B	7-7/8"	3-5/32" & 3-5/32"
** DP245C	12-19/32"	6-5/16" & 6-5/16"

** (3) Mounting holes.