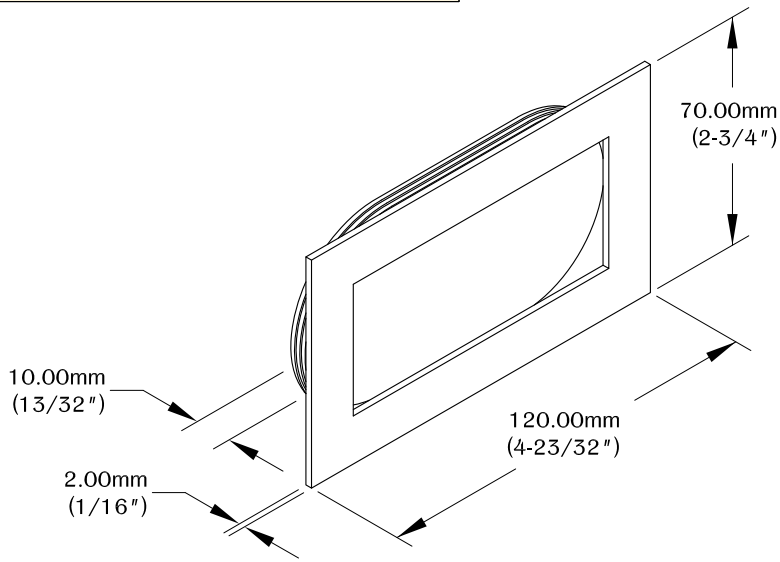


PART #

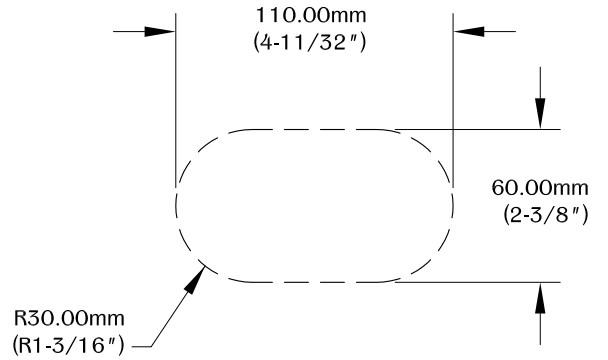
DP137

310.318.2491 • 800.523.1269 • www.mockett.com

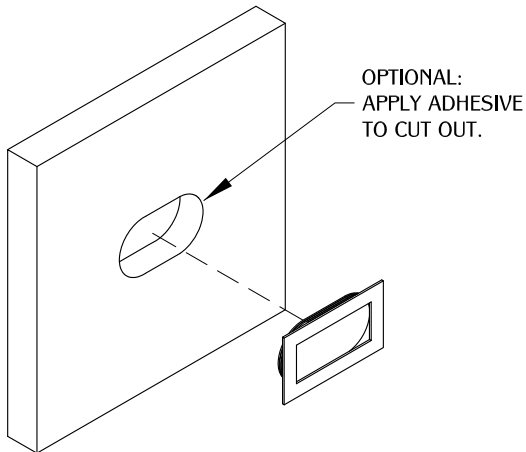


1

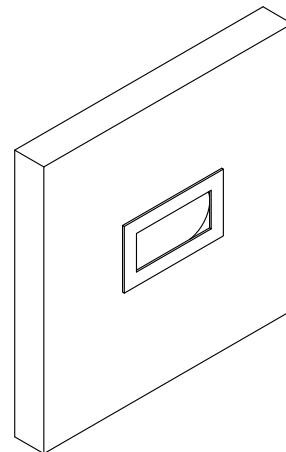
CUT OUT DIMENSIONS:



2

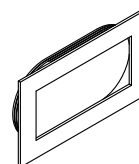


3



NOTE:
ALL DIMENSIONS HAVE A + / - 1/32" TOLERANCE.
WE DO NOT RECOMMEND DRILLING OR CUTTING ANY
HOLES BEFORE RECEIVING A PRODUCT OR A PRODUCT
SAMPLE.

TABLE OF CONTENTS:



..... 1x DP137