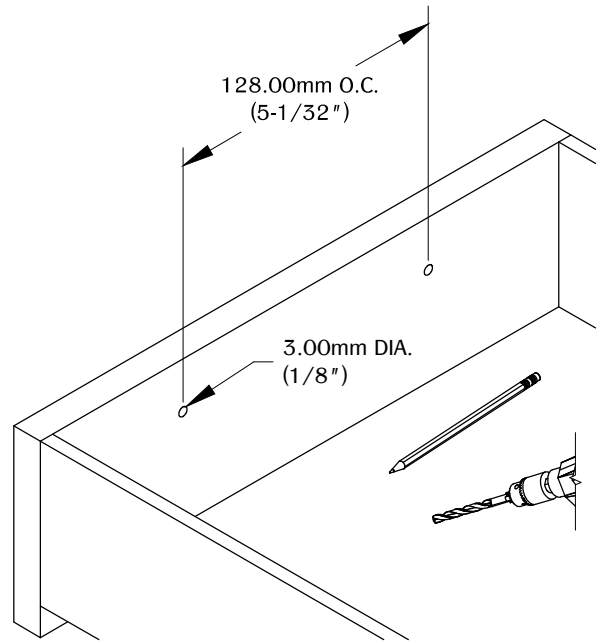
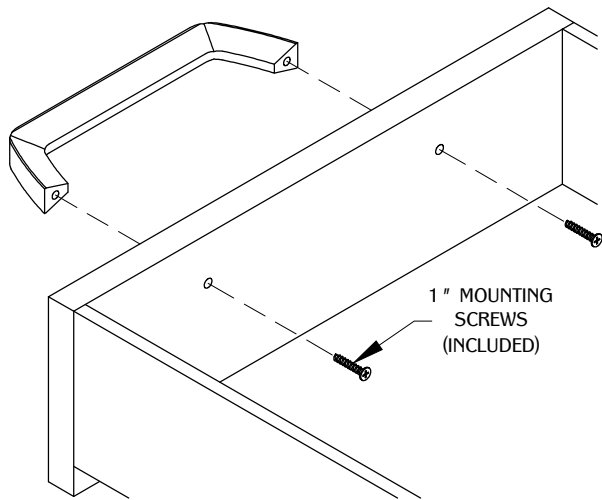


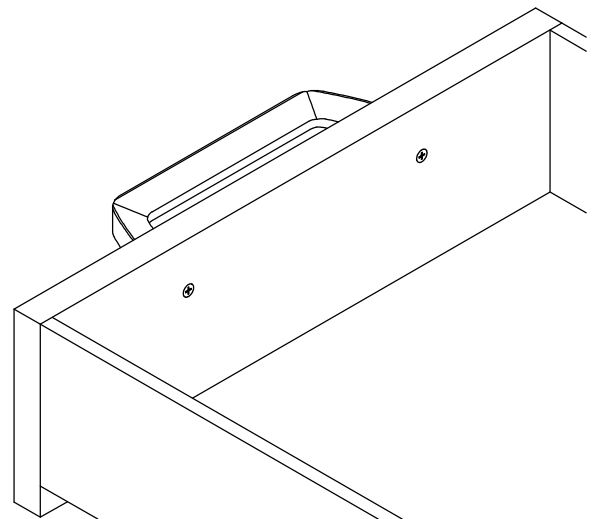
1



2



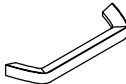

3



Note: Additional screw sizes available upon request (3/4" up to 2" in 1/4" increments).

NOTE:
ALL DIMENSIONS HAVE A +/- 1/32" TOLERANCE.
WE DO NOT RECOMMEND DRILLING OR CUTTING ANY HOLES BEFORE RECEIVING A PRODUCT OR A PRODUCT SAMPLE.

TABLE OF CONTENTS:

 1x DP124A
 2x MOUNTING SCREWS