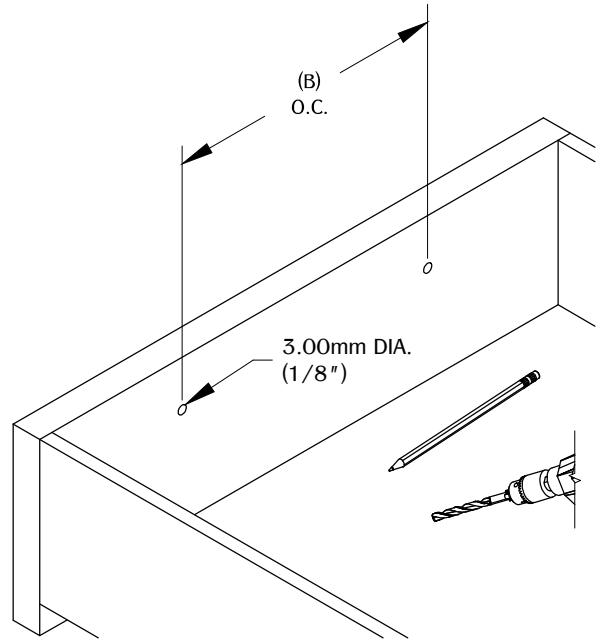
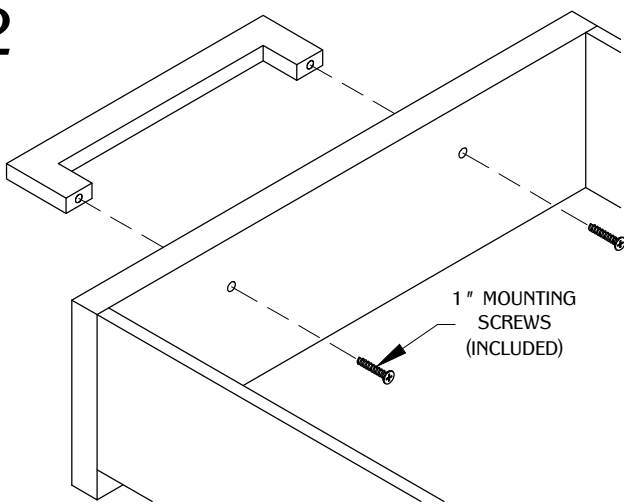


PART #	(A)	(B)
DP120A	142.00mm (5-19/32")	128.00mm (5-1/32")
DP120B	174.00mm (6-27/32")	160.00mm (6-5/16")
DP120C	238.00mm (9-3/8")	224.00mm (8-13/16")

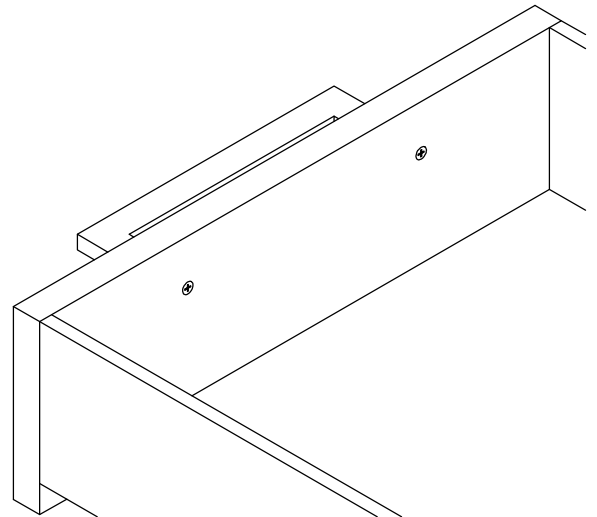
1



2



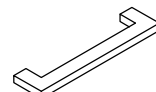

3



Note: Additional screw sizes available upon request (3/4" up to 2" in 1/4" increments).

NOTE:  
ALL DIMENSIONS HAVE A +/- 1/32" TOLERANCE.  
WE DO NOT RECOMMEND DRILLING OR CUTTING ANY  
HOLES BEFORE RECEIVING A PRODUCT OR A PRODUCT  
SAMPLE.

TABLE OF CONTENTS:

	..... 1x DP120
	..... 2x MOUNTING SCREWS