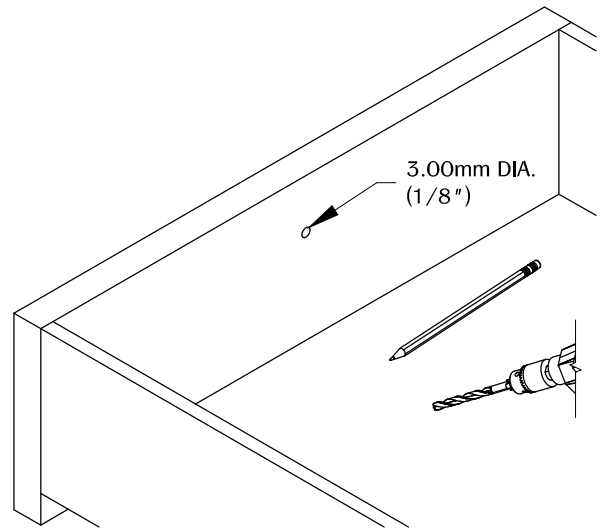
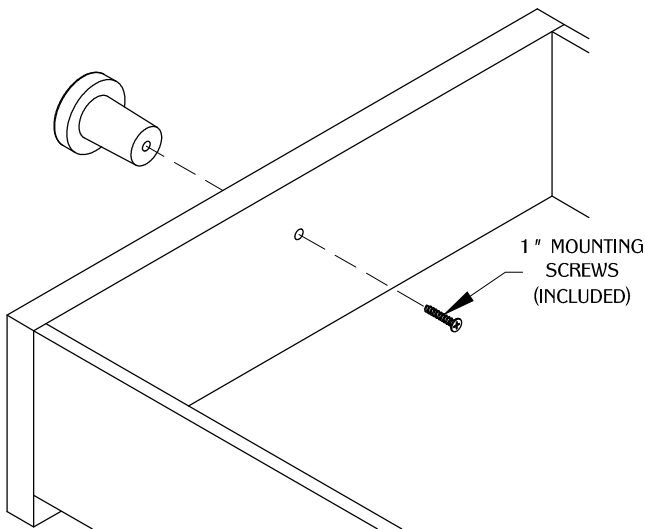


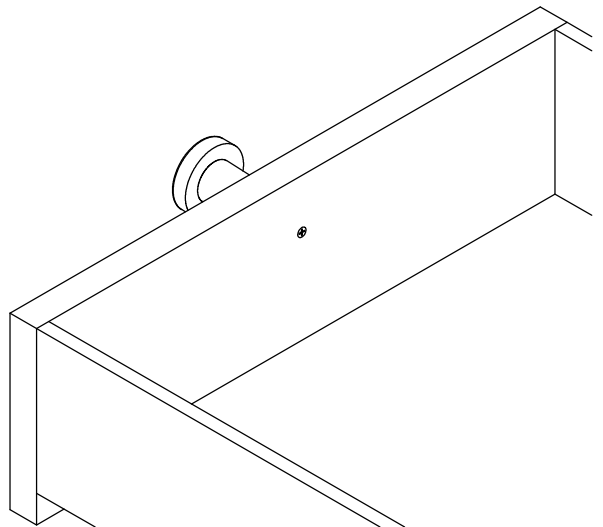
1



2



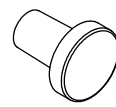

3



Note: Additional screw sizes available upon request (3/4" up 2" in 1/4" increments).

NOTE:
ALL DIMENSIONS HAVE A + / - 1/32" TOLERANCE.
WE DO NOT RECOMMEND DRILLING OR CUTTING ANY
HOLES BEFORE RECEIVING A PRODUCT OR A PRODUCT
SAMPLE.

TABLE OF CONTENTS:

 1x DP112A
 1x MOUNTING SCREWS