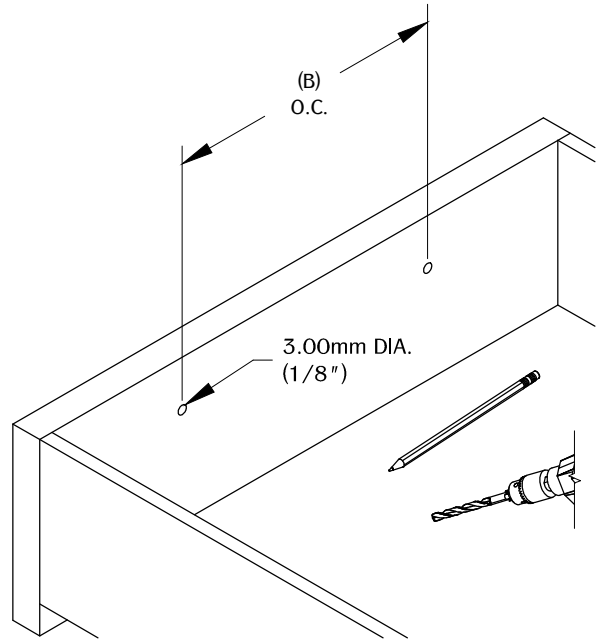
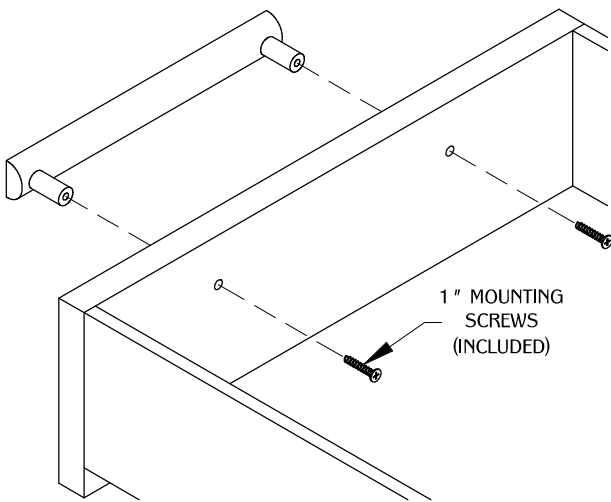


PART #	(A)	(B)
DP109A	150.00mm (5-29/32")	127.00mm (5")
DP109B	180.00mm (7-3/32")	160.00mm (6-5/16")
DP109C	244.00mm (9-19/32")	224.00mm (8-13/16")
DP109D	340.00mm (13-3/8")	320.00mm (12-19/32")

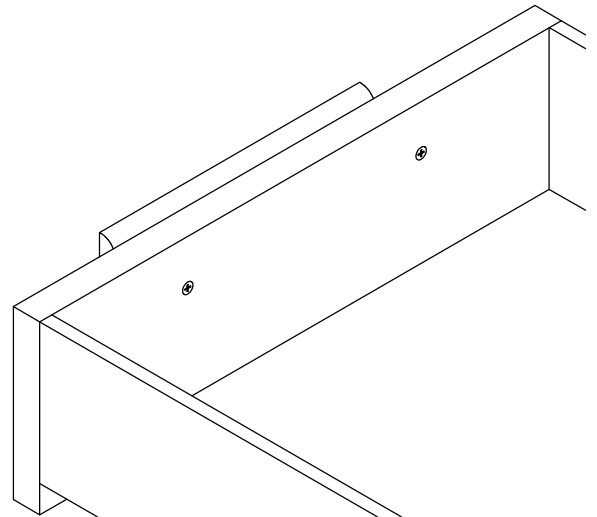
1



2



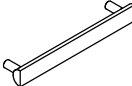

3



Note: Additional screw sizes available upon request (3/4" up 2" in 1/4" increments).

NOTE:
ALL DIMENSIONS HAVE A +/- 1/32" TOLERANCE.
WE DO NOT RECOMMEND DRILLING OR CUTTING ANY
HOLES BEFORE RECEIVING A PRODUCT OR A PRODUCT
SAMPLE.

TABLE OF CONTENTS:

 1x DP109
 2x MOUNTING SCREWS