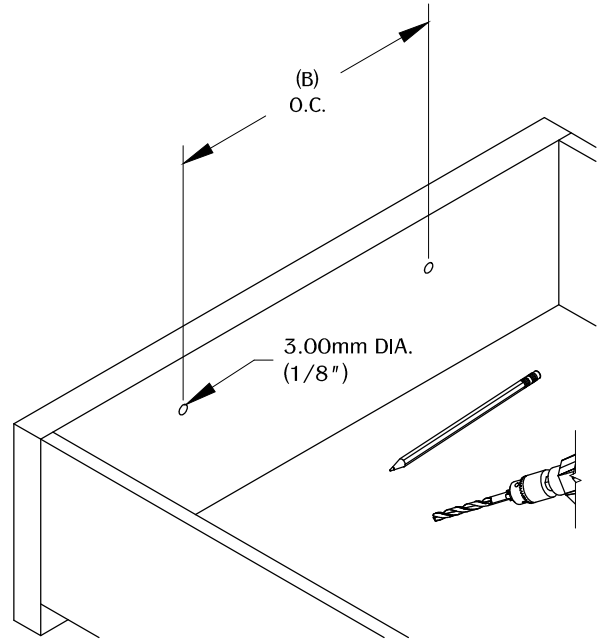
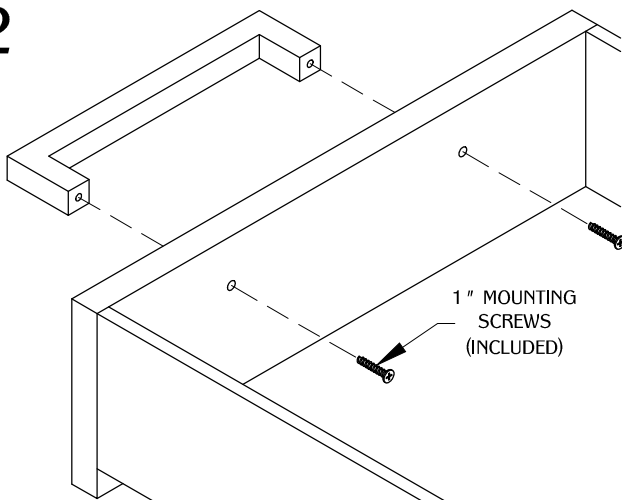


SQUARE PULL	(A)	(B)	(C)
DP105C/4	106.00mm (4-3/16")	96.00mm (3-25/32")	33.00mm (1-9/32")
DP105C/5	138.00mm (5-7/16")	128.00mm (5-1/32")	33.00mm (1-9/32")
DP105C/6	170.00mm (6-11/16")	160.00mm (6-5/16")	33.00mm (1-9/32")
DP105C/7	202.00mm (7-15/16")	192.00mm (7-9/16")	33.00mm (1-9/32")
DP105C/9	233.00mm (9-3/16")	224.00mm (8-13/16)	33.00mm (1-9/32")
DP105C/13	330.00mm (13")	320.00mm (12-19/32")	32.00mm (1-1/4")
DP105C/18	458.00mm (18-1/32")	448.00mm (17-5/8")	32.00mm (1-1/4")

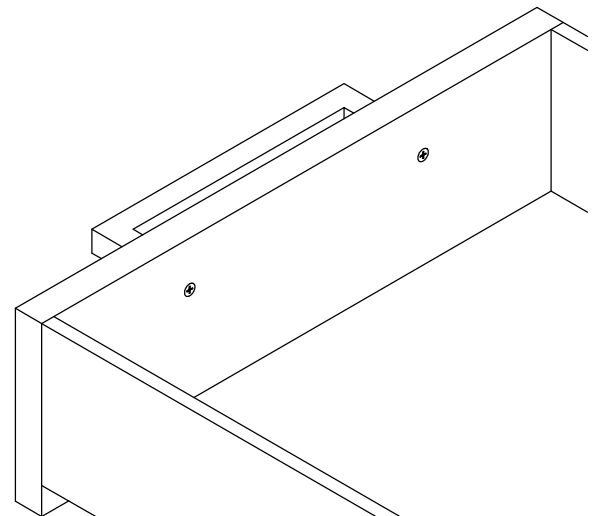
1



2



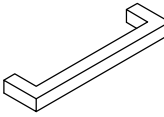

3



Note: Additional screw sizes available upon request (3/4" up to 2" in 1/4" increments).

NOTE:
ALL DIMENSIONS HAVE A +/- 1/32" TOLERANCE.
WE DO NOT RECOMMEND DRILLING OR CUTTING ANY HOLES BEFORE RECEIVING A PRODUCT OR A PRODUCT SAMPLE.

TABLE OF CONTENTS:

 1x DP105C
 2x MOUNTING SCREWS