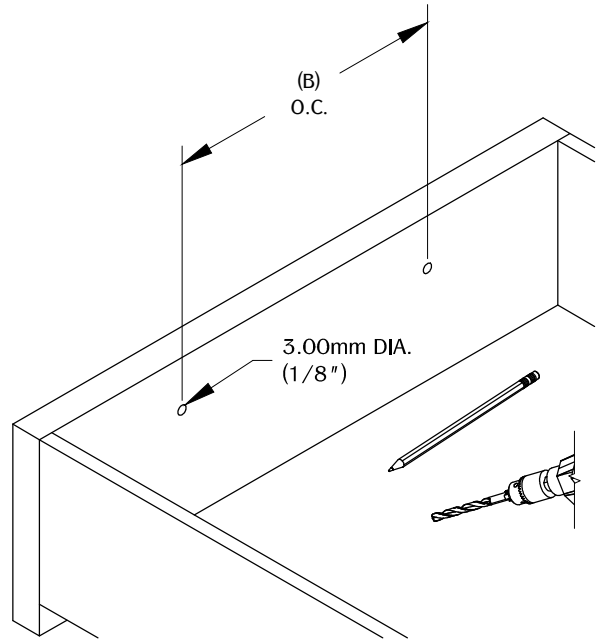
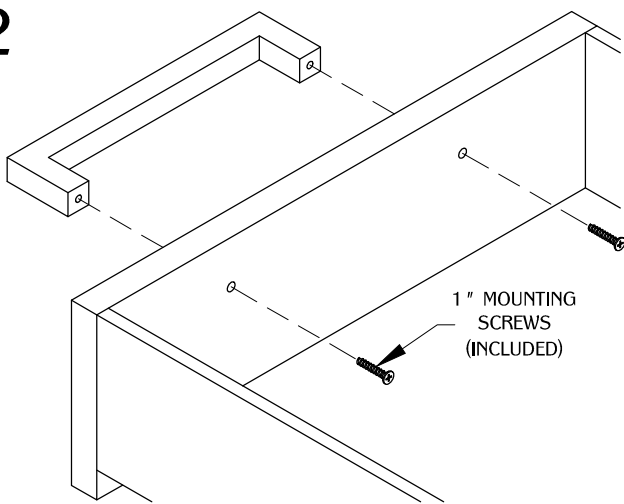


PART #	(A)	(B)
DP105A/6	174.00mm (6-27/32")	160.00mm (6-5/16")
DP105A/8	206.00mm (8-1/8")	192.00mm (7-9/16")
DP105A/9	238.00mm (9-3/8")	224.00mm (8-13/16")
DP105A/13	332.00mm (13-1/16")	320.00mm (12-19/32")
DP105A/18	462.00mm (18-3/16")	448.00mm (17-5/8")
DP105A/20	526.00mm (20-23/32")	512.00mm (20-5/32")

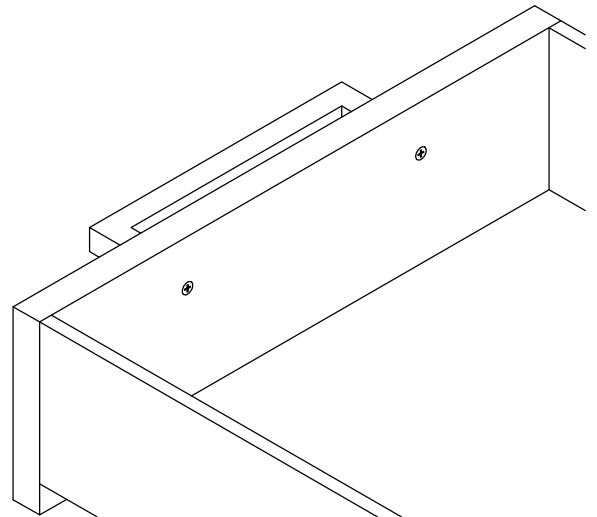
1



2



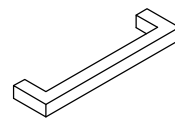
3



Note: Additional screw sizes available upon request (3/4" up to 2" in 1/4" increments).

NOTE:
ALL DIMENSIONS HAVE A +/- 1/32" TOLERANCE.
WE DO NOT RECOMMEND DRILLING OR CUTTING ANY
HOLES BEFORE RECEIVING A PRODUCT OR A PRODUCT
SAMPLE.

TABLE OF CONTENTS:



..... 1x DP105A



..... 2x MOUNTING SCREWS