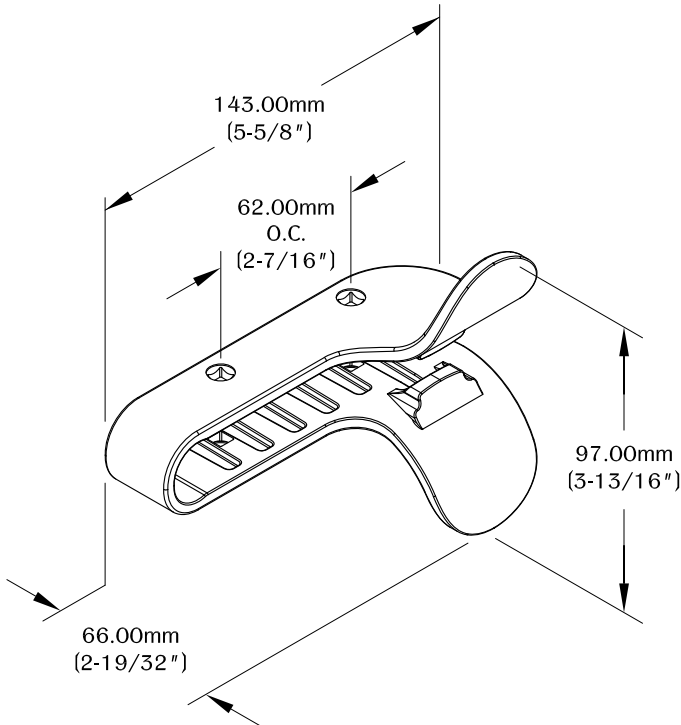


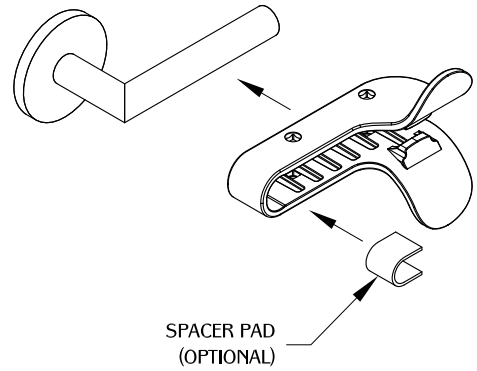
PART #

DHC1

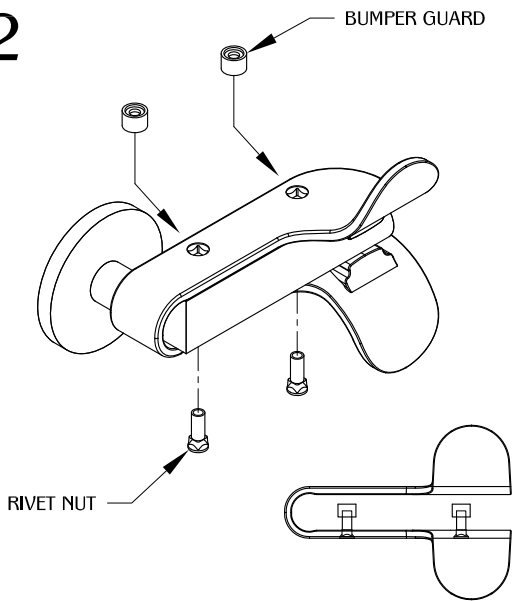
310.318.2491 • 800.523.1269 • www.mockett.com



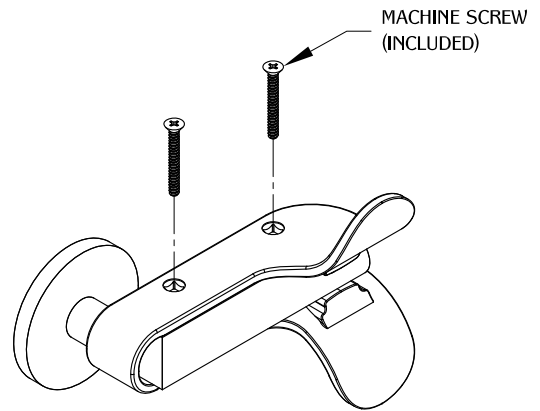
1



2




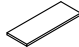



3



**NOTE:**

- Designed for square or round door handle with a diameter of 18.00mm MIN. (23/32") to 25.00mm MAX. (1").
- All dimensions have a + / - 1/16" tolerance. We do not recommend drilling or cutting any holes before receiving a product or a product sample.

TABLE OF CONTENTS:

	.....	1X DHC1
	.....	1X SPACER PAD
	.....	2X BUMPER GUARD
	.....	2X RIVET NUT
	.....	2X 1" M5-.8 THREAD MACHINE SCREW