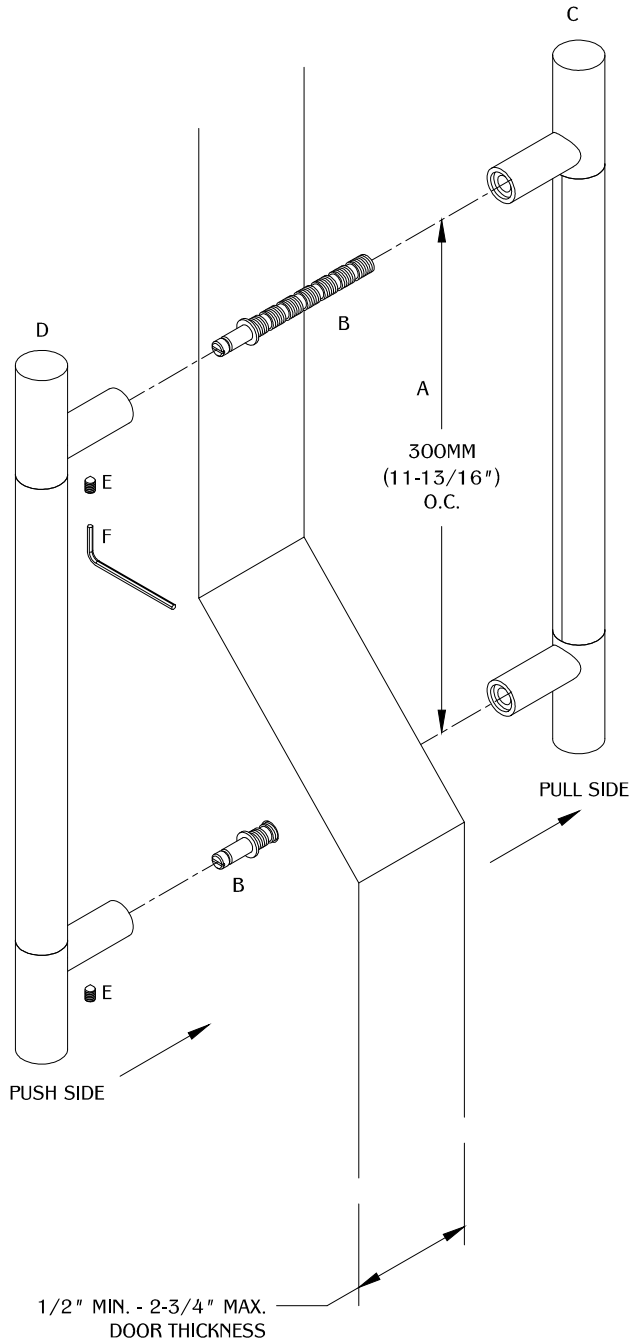





INSTALLATION INSTRUCTIONS



1. MEASURE DOOR PULL FIXING CENTER (A) AND MARK VERTICALLY ON DOOR PARALLEL TO DOOR EDGE.
2. USING A 5MM DRILL BIT, DRILL PILOT HOLES SQUARELY THROUGH DOOR WHERE MARKED.
3. USING A 10.5MM DRILL BIT, ENLARGE PILOT HOLES. DRILL FROM BOTH SIDES TO AVOID SPLINTERING.
4. USING BACK TO BACK SPINDLE (B), MEASURE DEPTH OF TAPPED HOLE IN DOOR PULL. CHECK LENGTH OF SPINDLE WITH THICKNESS OF DOOR. YOU MAY NEED TO CUT AN APPROPRIATE AMOUNT OF EACH SPINDLE TO SUIT.
5. ENSURE TAPPED (THREADED) DOOR PULL IS ON PULL SIDE OF DOOR. USING A SCREW DRIVER, SCREW SPINDLES THROUGH DOOR AND INTO YOUR DOOR PULL (C) UNTIL FIRM FIT.
6. FIT PUSH SIDE DOOR PULL (D) OVER PLAIN END OF SPINDLES ENSURING SET SCREWS ARE ON THE UNDERSIDE OF THE PULL. TIGHTEN SET SCREWS WITH HEX KEY PROVIDED (E).

HARDWARE TABLE OF CONTENTS:

(B)	 2 X BACK TO BACK SLOTTED SPINDLE
(E)	 2 X SET SCREWS
(F)	 1 X HEX KEY