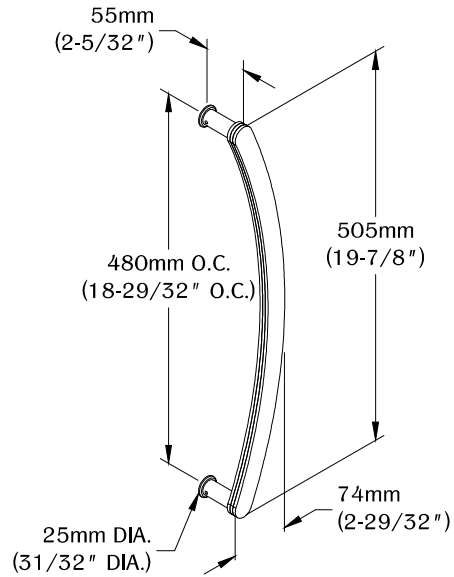


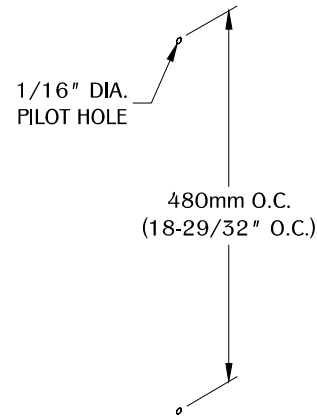
PART #

DH2C

310.318.2491 • 800.523.1269 • www.mockett.com

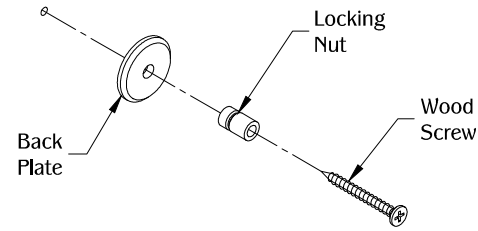


1



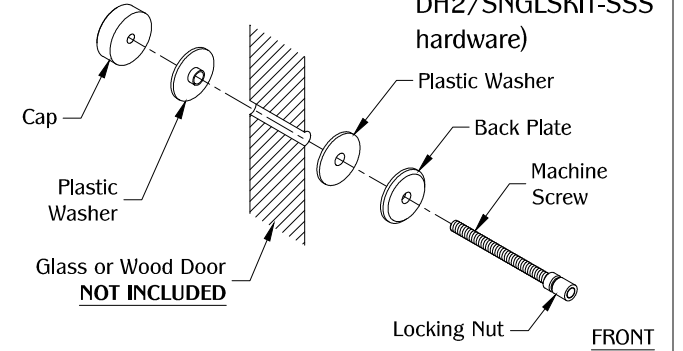
Drill 1/16" diameter pilot hole in to desired wooden door. (Note: Drill a 5/16" diameter hole for through hole installation.)

2a) Wood screw installation:



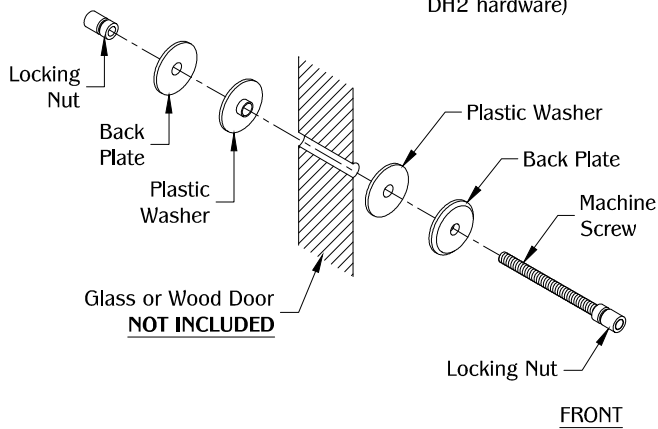
Align the back plate and locking nut to the pilot hole. Install by using a wood screw.

2b) Through hole installation: (Requires additional DH2/SNGLSKIT-SSS hardware)



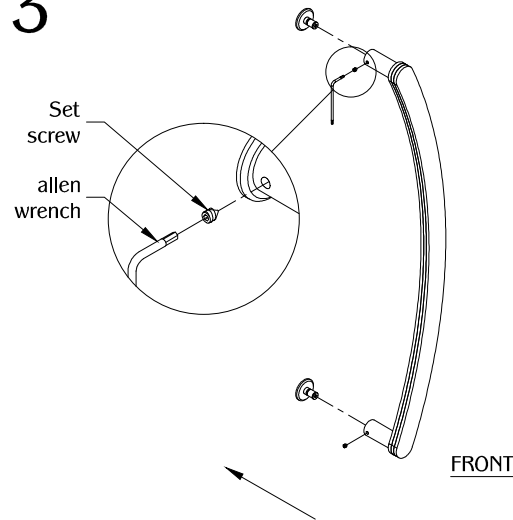
Assemble the locking nut to end of the threaded rod. Align the back plate and plastic washer to the through hole. Secure assembly from the rear of the door with plastic washer and cap. (Note: Cut threaded rod if necessary.)

2c) Back to back installation: (Requires 2 set of DH2 hardware)



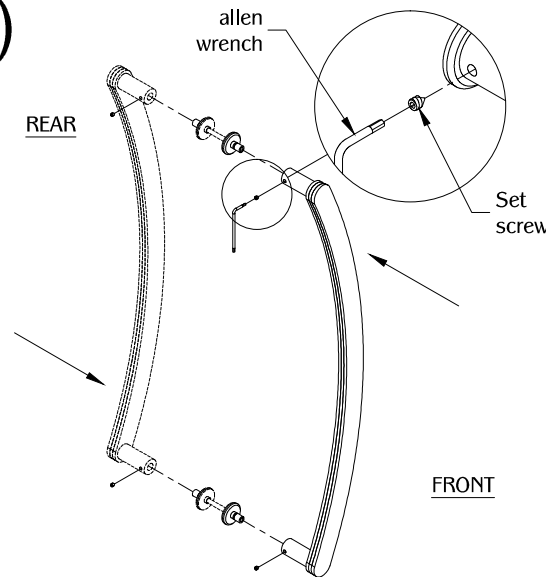
Assemble the locking nut to end of the threaded rod. Align the back plate and plastic washer to the through hole. Secure assembly from the rear of the door with plastic washer, back plate and locking nut. (Note: Cut threaded rod if necessary.)

3



Align the DH2C to the assembled base. Secure it with the (2) set screw using the allen wrench.

3c)



Align the DH2C to the assembled base. Secure it with the (4) set screw using the allen wrench.

TABLE OF CONTENTS:

	.....1 X DH2C
	.....1 X 2-3/4" Threaded rod
	.....2 X Back Plate
	.....2 X Locking Nut
	.....2 X Plastic Washer
	.....2 X Wood Screw
	.....1 X Allen Wrench
	.....2 X Set screw
<b>DH2/SNGLSKIT-SSS - Single Side Kit: (Purchased separately)</b>	
	.....2 X Cap
	.....2 X Plastic Washer
	.....1 X 2-3/4" Threaded rod