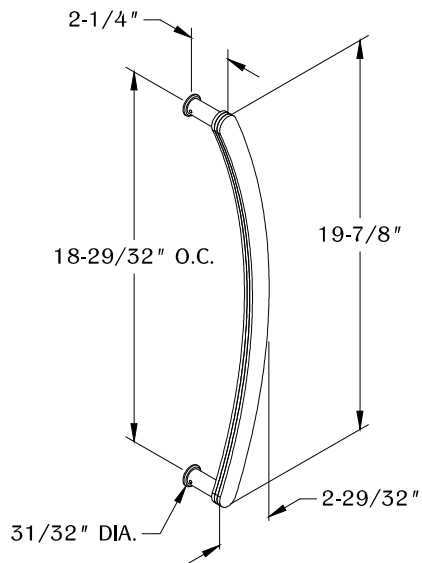


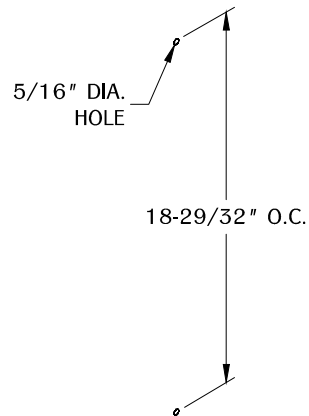
PART #

DH2C/AL

310.318.2491 • 800.523.1269 • www.mockett.com

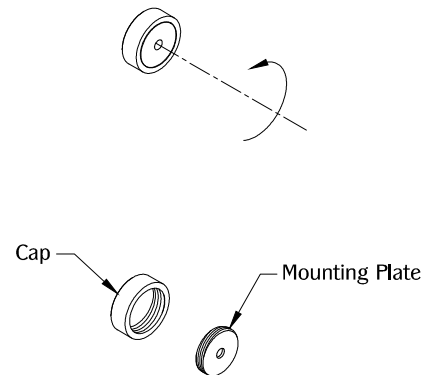


1)



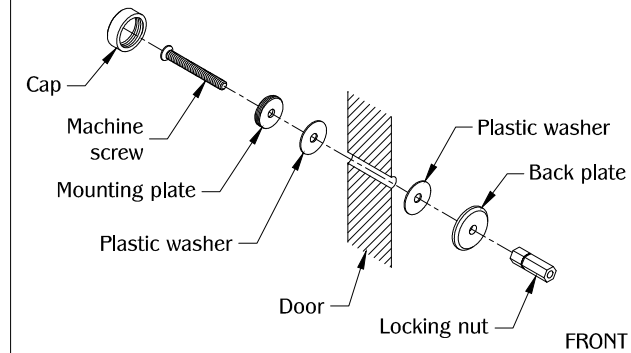
Drill 5/16" diameter hole in to desired door for through hole installation.

2)



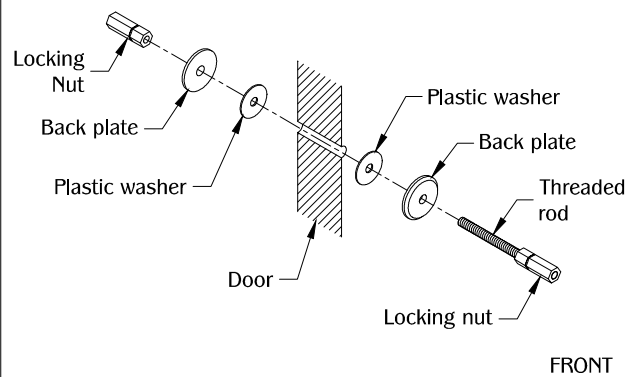
Separate the inner mounting plate from the cap by turning it counter-clockwise.

3a) Through hole installation:



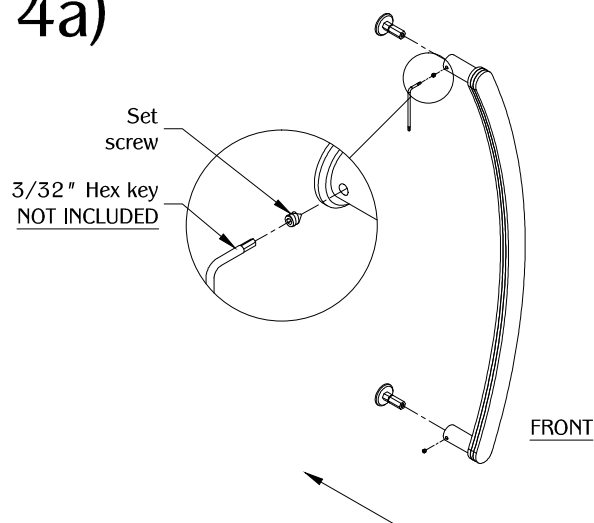
Align the machine screw, mounting plate and plastic washer from the rear of the through hole. Secure the assembly by aligning the plastic washer, back plate, and tighten with the locking nut from the front. Install the cap from the rear.

3b) Back to back installation:
(Requires 2 sets)



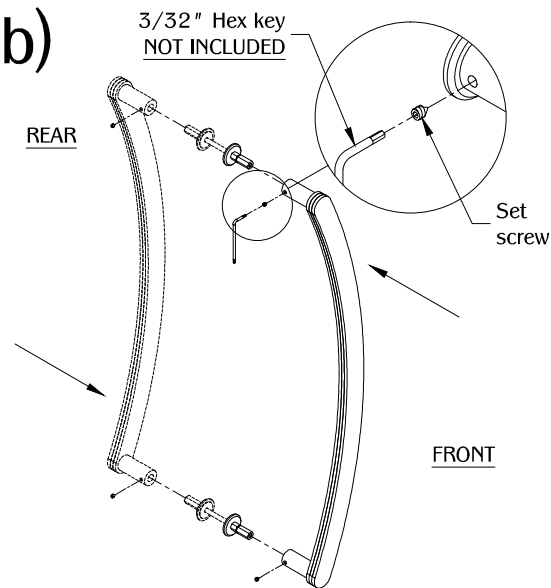
Assemble the locking nut to end of the threaded rod. Align the back plate and plastic washer to the through hole. Secure assembly from the rear of the door with plastic washer, back plate and locking nut. (Note: Cut threaded rod if necessary. Some installation contents may not apply.)

4a)



Align the DH2C/AL to the assembled base. Secure it with the (2) set screw using a 3/32" hex key.

4b)



Align the DH2C/AL to the assembled base. Secure it with the (4) set screw using a 3/32" hex key.

TABLE OF CONTENTS:

1 X DH2C/AL
2 X 2-1/2" Threaded rod
4 X Back plate
4 X Locking nut
4 X Plastic washer
4 X Set screw
2 X Mounting plate
2 X Cap
2 X 1-23/32" Countersunk Machine Screw