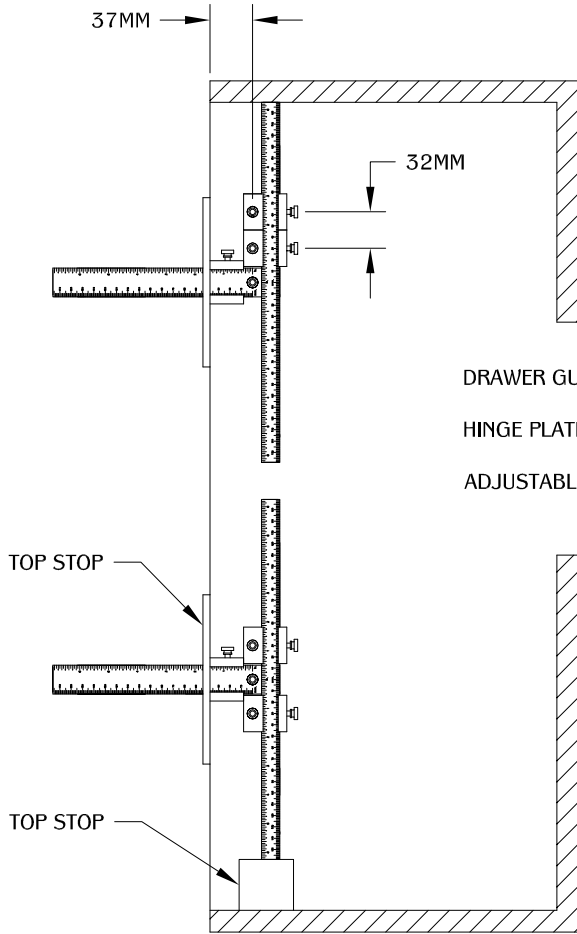


PART #

DG1

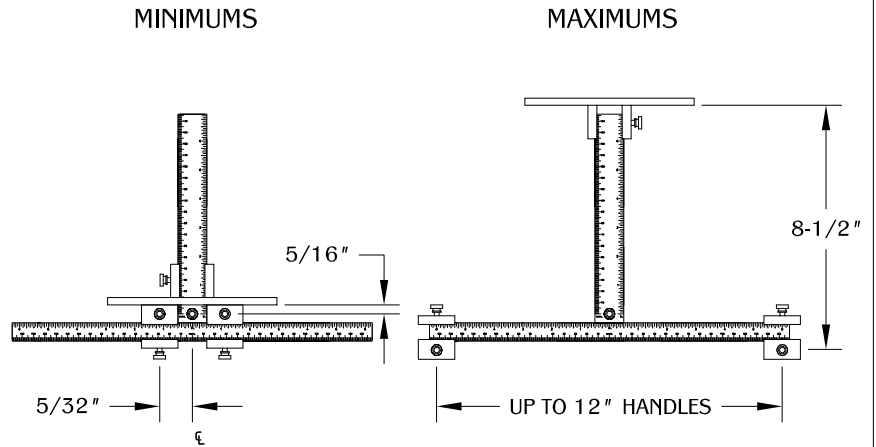
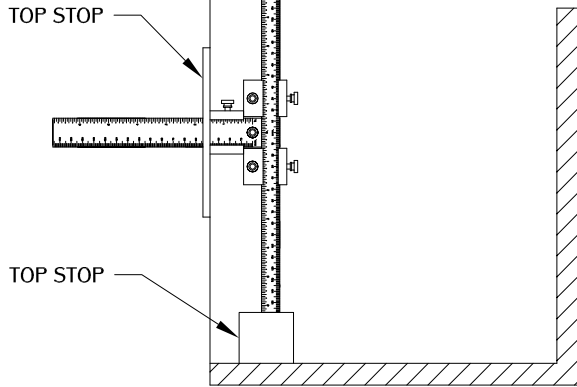
310.318.2491 • 800.523.1269 • www.mockett.com



Use the built-in ruler to adjust Top Stop for set-back of holes from edge of work piece.

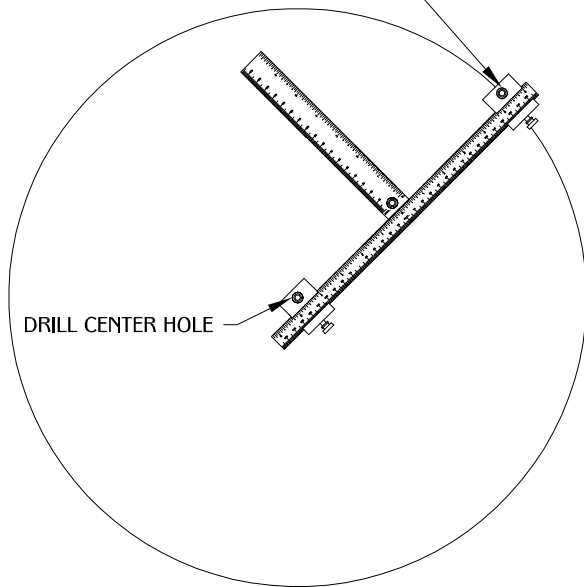
For front holes, standard 37 mm hole set-back is automatic when Top Stop makes contact with Line-Boring Extensions.

DRAWER GUIDE HOLES
HINGE PLATE HOLES
ADJUSTABLE SHELVING HOLES



MINIMUMS

INSERT PENCIL



DG1-94 ON DOORS

DG1-94 ON DRAWER FRONTS

