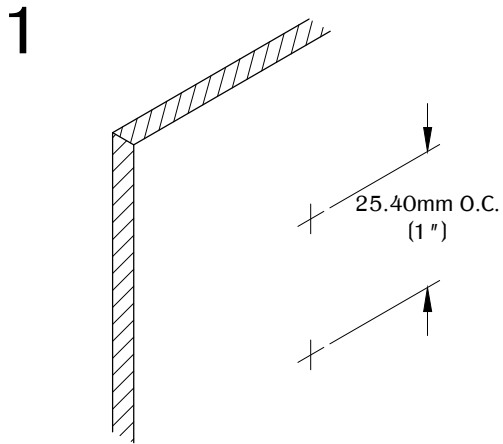


FRONT VIEW

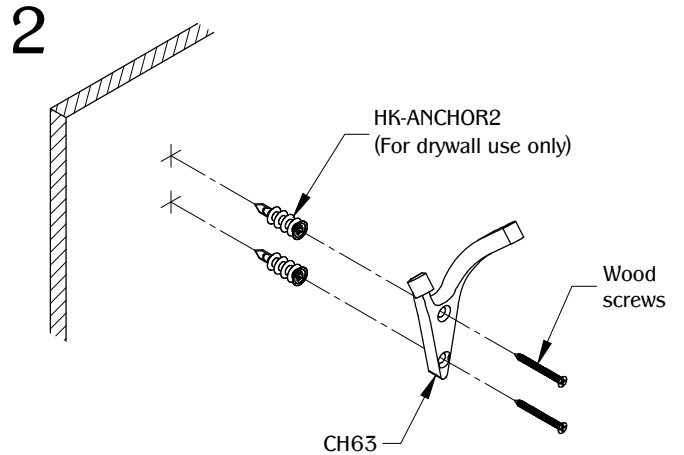
RIGHT VIEW

NOTE:

- Weight capacity is 25 lbs.
- Recommend installing into studs.

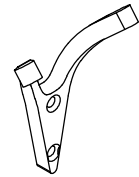




Determine the position and location of the part in the work surface. Mark the mounting positions for the mounting hardware.



Use (2) wood screws to secure the part in to the work surface. Make sure the part is fully level on the work surface.

TABLE OF CONTENTS:

1X CH63
2X HK-ANCHOR2
2X 1-1/2" No. 6 Wood screws