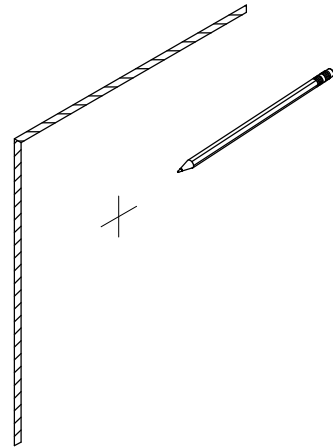
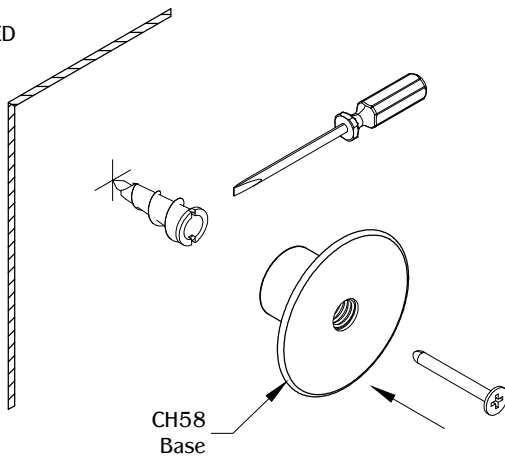


STEP 1



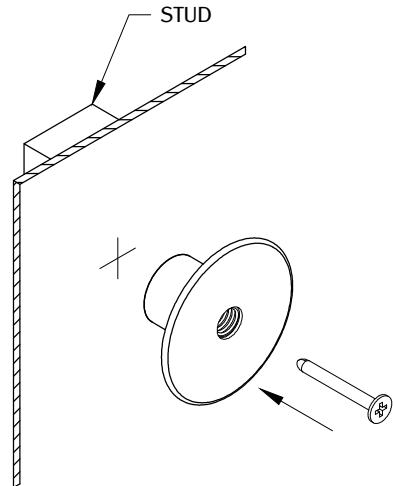
STEP 2A

DRYWALL
30 LBS MAX.
WITH PROVIDED
ANCHOR



STEP 2B

STUD
40 LBS MAX.



USE FLAT HEAD SCREW DRIVER TO DRIVE IN ANCHOR

STEP 3

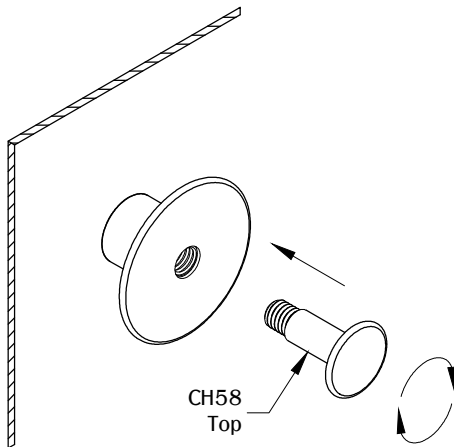






TABLE OF CONTENTS:

	1X CH58 Top
	1X CH58 Base
	1X CH58-SCREW (2" No. 8 Wood Screw)
	1X HK-ANCHOR