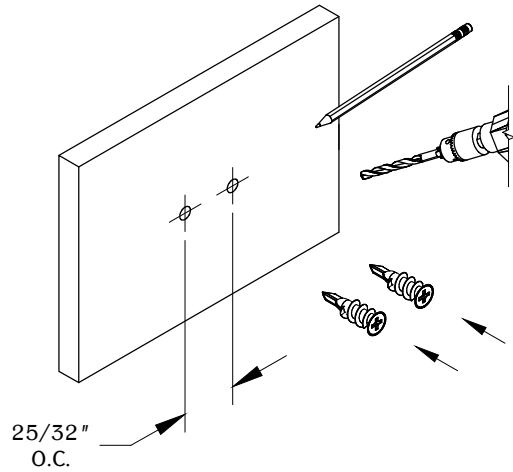
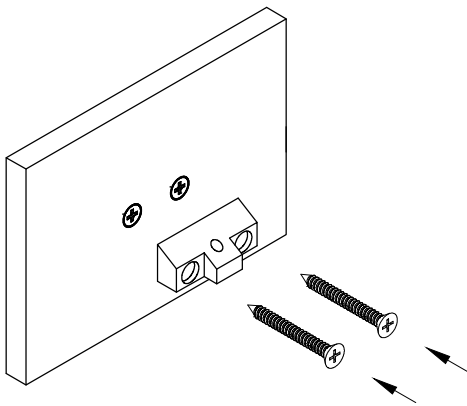


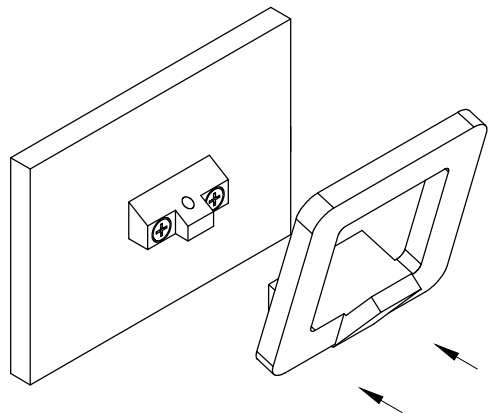
1



2



3



4

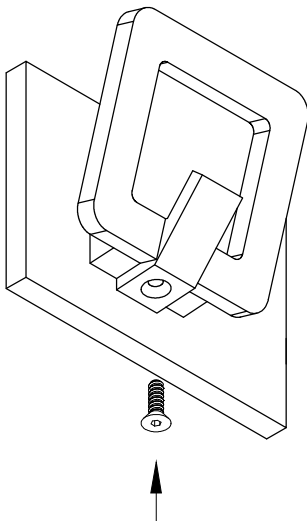
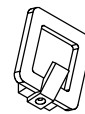


TABLE OF CONTENTS:



..... 1x CH54



..... 1x WALL MOUNT



..... 2x WOOD SCREWS



..... 1x SHORT SCREWS



..... 2x DRYWALL ANCHOR