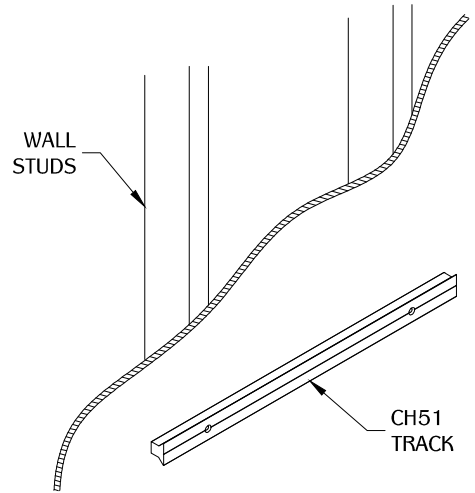


WEIGHT CAPACITY: 50 lbs.

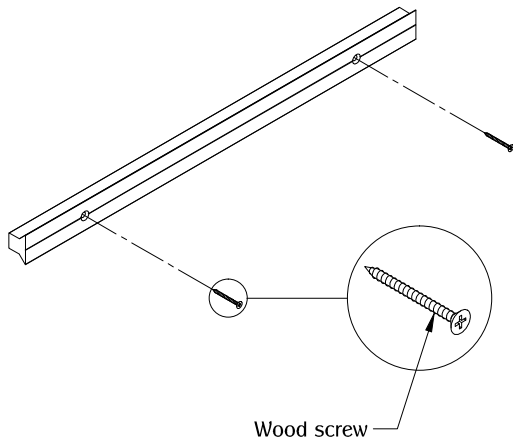
**NOTE:** Weight capacity is valid for evenly distributed static load, installed into studs or concrete only.

1



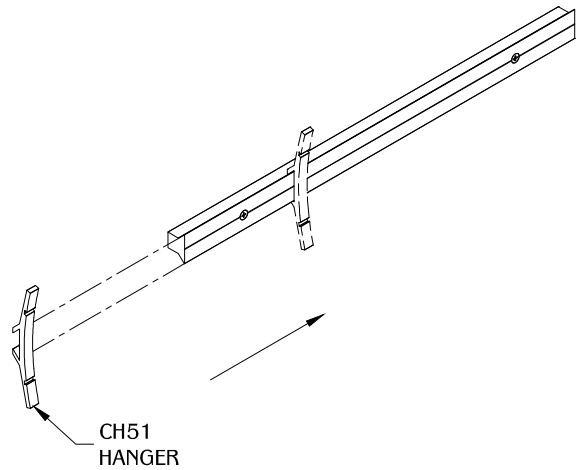
Align CH51 Track mounting holes on center of wall wood studs.

2



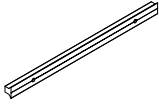


Level and install CH51 Track with two wood screws.

3



Take (4)CH51 Hanger and slide them on to installed CH51 Track.

TABLE OF CONTENTS:

	.....1 X CH51 TRACK
	.....4 X CH51 HANGER
	.....2 X Wood Screws