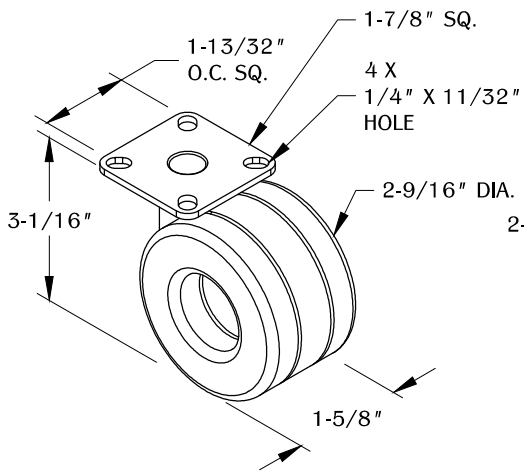


PART #

CA65

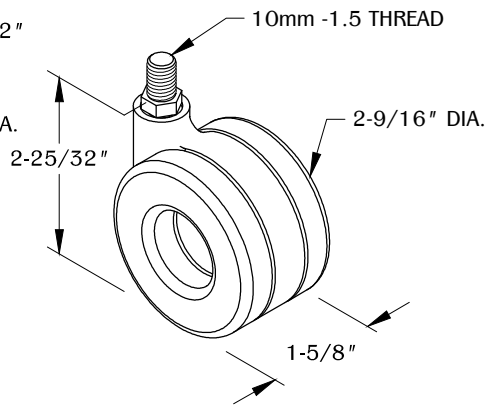
310.318.2491 • 800.523.1269 • www.mockett.com

CA65P (PLATE)



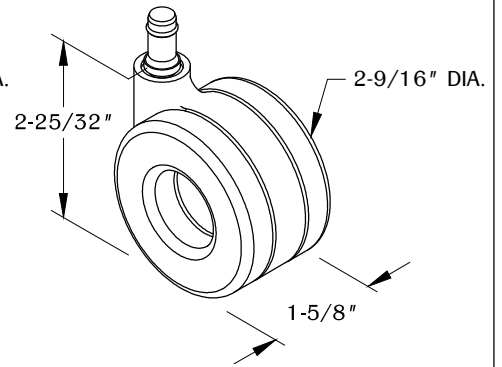
WEIGHT CAPACITY: 70 lbs.

CA65S (STEM)



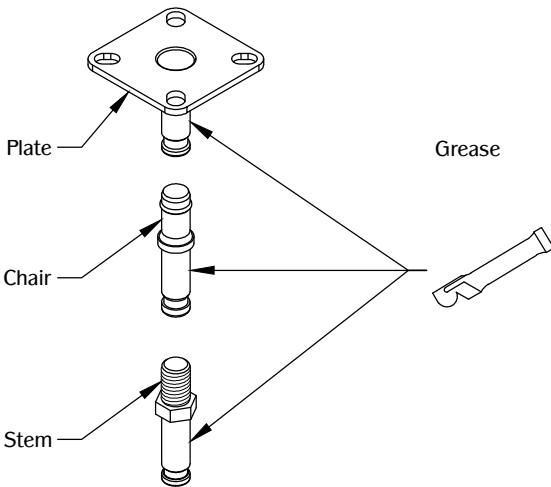
WEIGHT CAPACITY: 70 lbs.

CA65C (CHAIR)



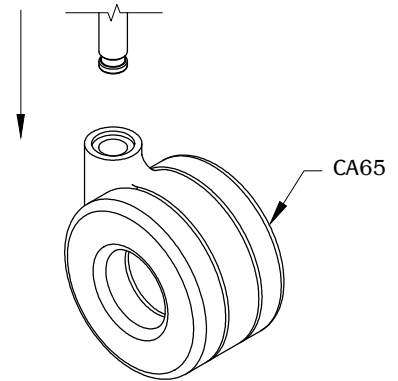
WEIGHT CAPACITY: 70 lbs.

1



Apply the grease to the bottom half of the plate, stem, or caster adapter.

2

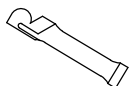


Install the adapter to the top of the caster until it locks. Use the assembly to mount into respective furniture.

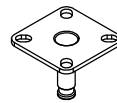
TABLE OF CONTENTS:



.....1 X Caster



.....1 X Grease



.....1 X CA-Plate

OR



.....1 X CA-Chair

OR



.....1 X CA-Stem