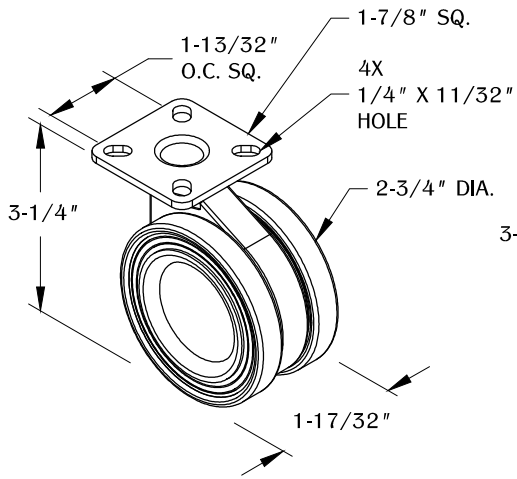


PART #

CA63

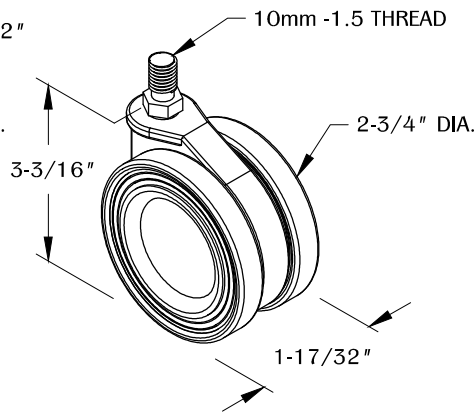
310.318.2491 • 800.523.1269 • www.mockett.com

CA63PB (PLATE)



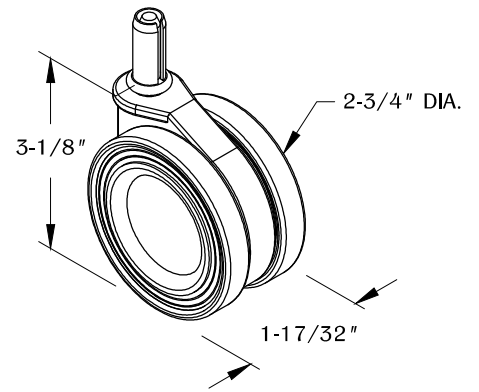
WEIGHT CAPACITY: 250 lbs.

CA63SB (STEM)



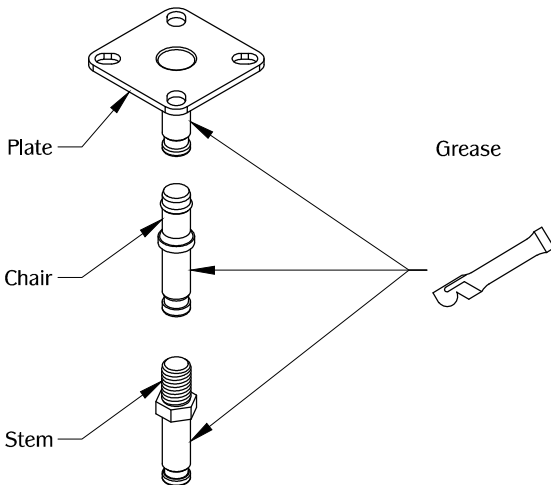
WEIGHT CAPACITY: 250 lbs.

CA63CB (CHAIR)



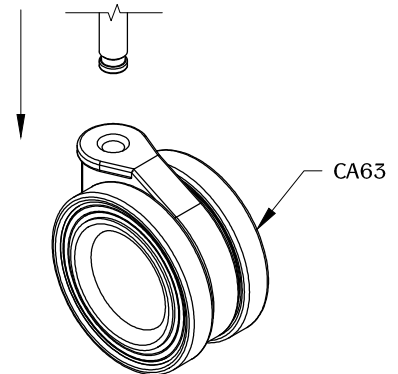
WEIGHT CAPACITY: 250 lbs.

1



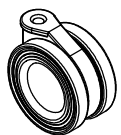
Apply the grease to the bottom half of the plate, stem, or caster adapter.

2

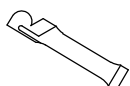


Install the adapter to the top of the caster until it locks. Use the assembly to mount into respective furniture.

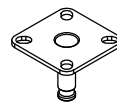
TABLE OF CONTENTS:



.....1X CA63



.....1X Grease



.....1X CA63-PL

OR



.....1X CA63-CR

OR



.....1X CA63-ST