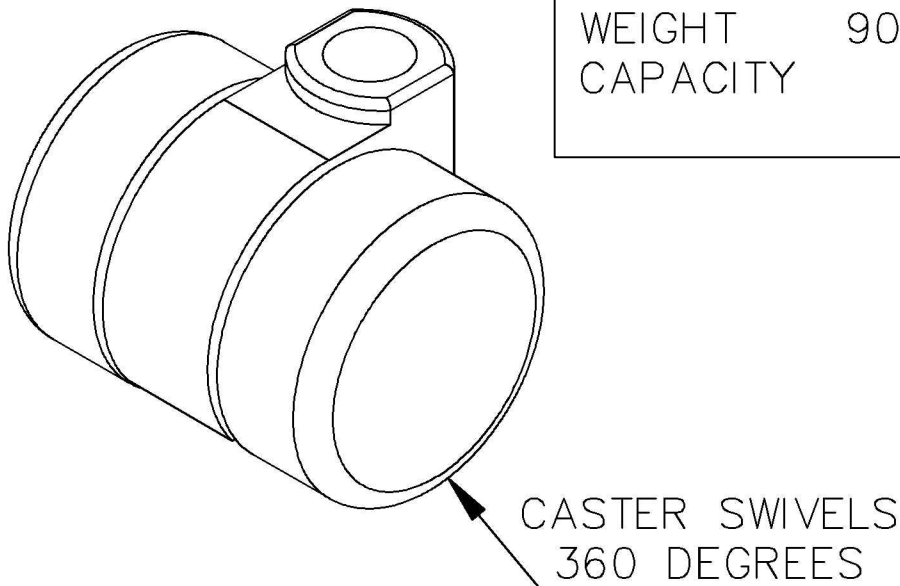


Apply grease to the bottom of the plate or stem

Press down on plate or stem until you hear a snap

	CA58	CA59	CA60	CA61
STEM HEIGHT	1-7/8"			
PLATE HEIGHT	2-1/32"			
WEIGHT CAPACITY	90 LBS. EACH			



CASTER SWIVELS
360 DEGREES