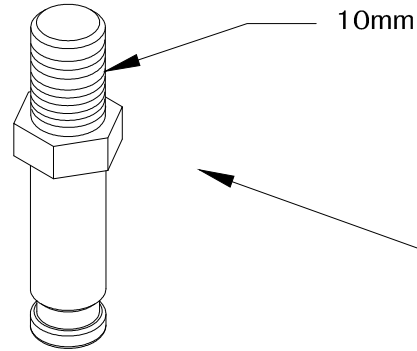


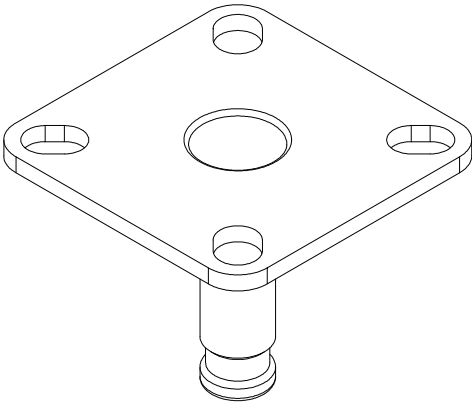
PART #

CA56 & 57

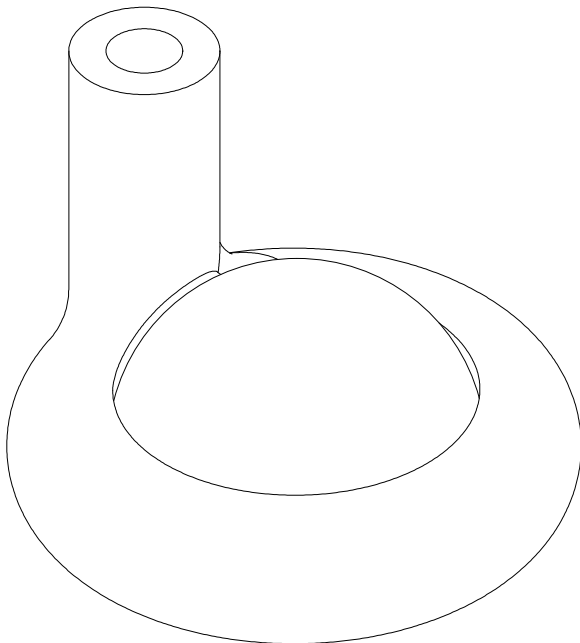
310.318.2491 • 800.523.1269 • www.mockett.com



Apply grease to the bottom of the plate or stem



BALL BEARING



PART NO.	CA56B W/BRAKE	CA57A	CA57B
STEM HEIGHT	3-7/32" OVERALL HT.	2-23/32" OVERALL HT.	3-7/32" OVERALL HT.
PLATE HEIGHT	3-17/32" OVERALL HT.	3-5/32" OVERALL HT.	3-17/32" OVERALL HT.
WEIGHT CAPACITY	30 lbs.	30 lbs.	30 lbs.
BALL BEARING	YES	NO	YES