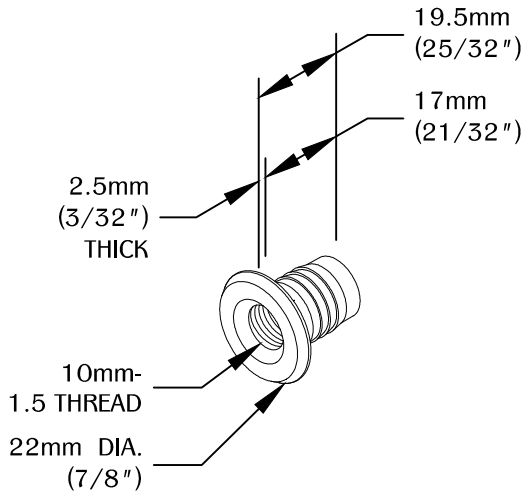


PART # **CA-SOCKET-A**

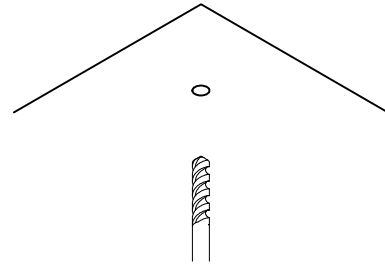
310.318.2491 • 800.523.1269 • www.mockett.com

ONLY FOR USE ON:

- CA39S, CA40S
- CA29, CA30, CA52A, CA52B, CA54, CA55
- CA31SA-92, CA32SA-87
- CA41, CA42, CA43, CA44, CA52C
- CA45, CA46, CA47, CA48
- LV12

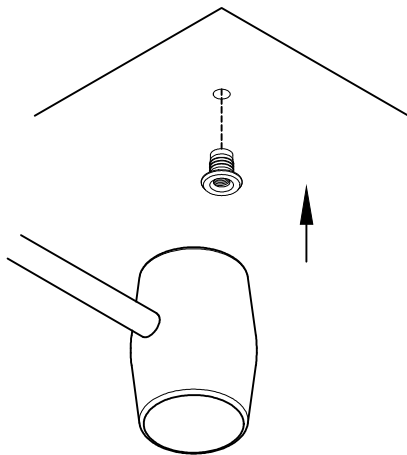


1



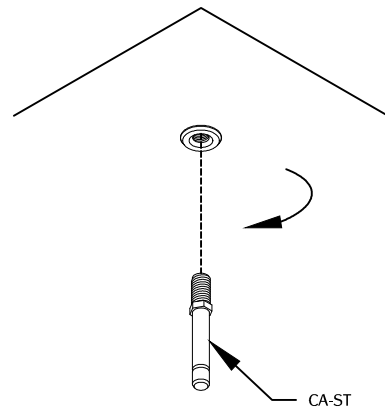
Use a hand drill and 12mm drill bit to drill hole at the desired caster placement. Drill to a depth of 20mm. (NOTE: Drill to 26mm depth for CA-ST-12R/10/25.)

2



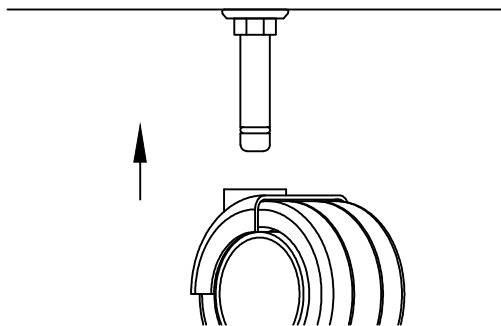
Use a Rubber mallet or hammer to insert the CA-SOCKET-A into pre-drilled hole.

3



Use an adjustable wrench or an open ended wrench that is 12mm or 16mm to install the CA-ST into the CA-SOCKET-A.

4



Apply grease on the bottom of the stem. Then insert stem into caster by force until you hear a snap sound.

TABLE OF CONTENTS:



.....CA-SOCKET-A

TOOLS REQUIRED:
(NOT INCLUDED)

- Hand-drill
- 12mm Drill bit
- Rubber mallet or hammer
- 12mm or 16mm open-ended wrench
- Adjustable wrench