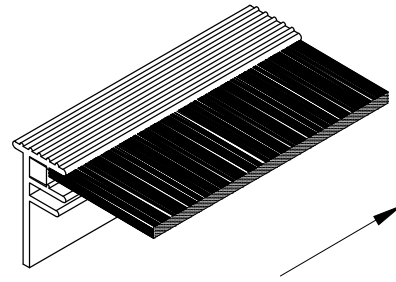


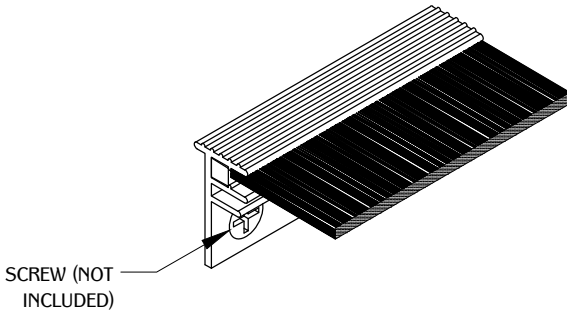
Materials needed for:

- 1' KIT
- 2' of BRUSH
- 3' of EXTRUSION
- 2' KIT
- 4' of BRUSH
- 5' of EXTRUSION
- 3' KIT
- 6' of BRUSH
- 7' of EXTRUSION



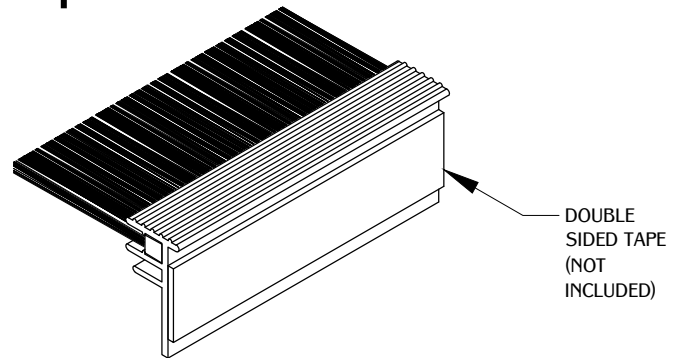
Insert brush strip into extrusion.

## Option 1



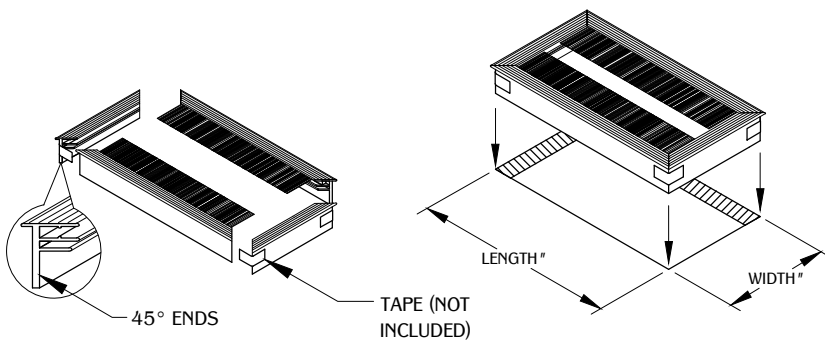
Mount BREXT onto desired surface using screws (not included).

## Option 2



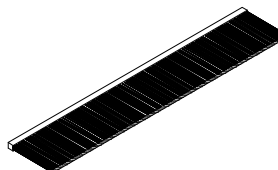
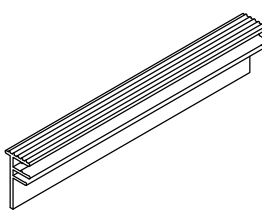
Mount BREXT onto desired surface using double-sided tape (not included).

## Option 3



Cut brush and extrusion to desired lengths and hold together using tape. Make cut out onto desired surface and insert.

TABLE OF CONTENTS:

	..... 1 x BR
	..... 1 x BREXT