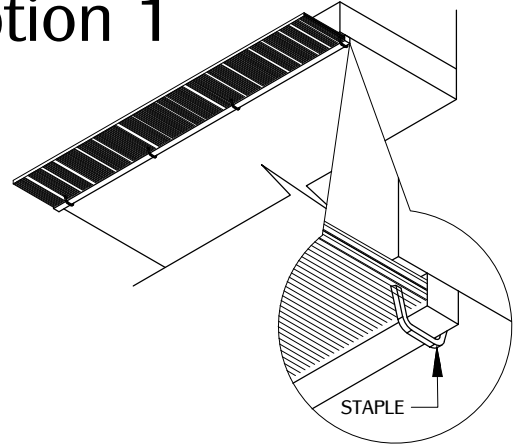
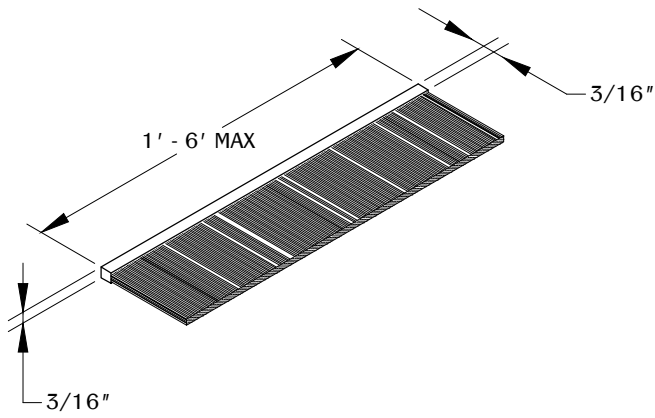


PART #

BR

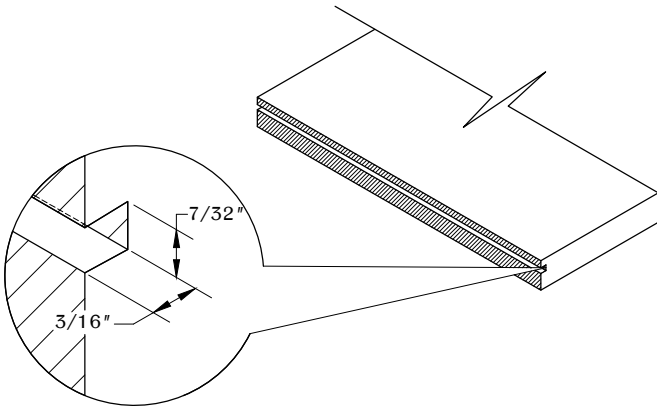
310.318.2491 • 800.523.1269 • www.mockett.com

Option 1

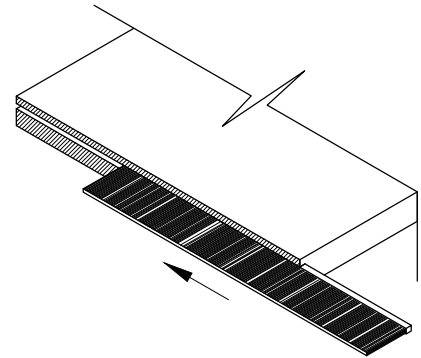


Staple BR strip onto desired location.
Note: Staples not included.

Option 2

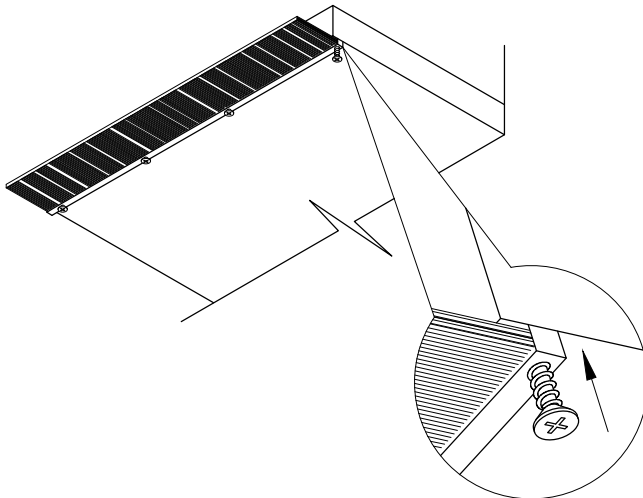


Rout slot for BR on desired surface.



Insert BR strip.

Option 3

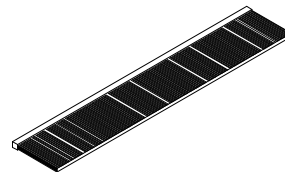


Screw BR strip onto desired location.
Note: Screws not included.

NOTE:

Screws and staples not included.

TABLE OF CONTENTS:



..... 1 x BR